

City Council Action Report

Date: January 10, 2006
Subject: Wastewater Treatment Plant Improvements - Additional Funds for
New Effluent Discharge Pipeline
Strategic Council Goal: Goal # 2

Recommended Action and Major Considerations:

- Authorize the Mayor to execute the attached Change Order # 18 for an amount of \$1,200,000 on the existing contract of \$11,149,000 with Glacier Construction Company, Inc. of Englewood, Colorado. The total contract price with the change order will be \$12,349,000. In addition, it is further recommended that City council authorize \$100,000 for contingency and authorize the City Manager to approve minor changes in the scope of work and execute relevant change orders up to an approved expenditure limit equal to \$100,000. Of the \$100,000 for contingency, \$30,000 is for miscellaneous items with known costs such as inspection by railroad personnel during boring activities, tree damage and easement acquisition and \$70,000 is for unknown contingency items.
- This project meets Council's Goal of Upgraded City Infrastructure and Facilities.

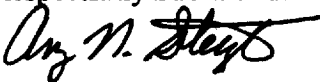
Background and Other Information:

- In Staff Report No. 04-18 City Council authorized the Mayor to execute a contract with Glacier Construction Company for the construction of the expanded facility. City staff is very satisfied with the quality of their work on the project to date.
- The effluent pipeline was a part of the original design and was bid as an alternate. Due to funding limitations at the time of award, the pipeline was not included in the contract with Glacier. The original bid price for the construction phase of the 30 inch diameter pipeline was \$660,000. The pipeline was redesigned to increase the capacity of the pipeline to provide adequate regional service. The larger pipeline is 42 inches in diameter.
- The construction of the larger pipeline at this time, allows the City to market the plant in a timely manner to the nearby regional development and provides flexibility in the implementation of the City's Integrated Water Resources Management plan.
- The City's discharge permit is up for renewal in 2007. Construction of the pipeline will proactively position the City for this renewal process and has initial support by the state.


Budget Information:

- A supplemental appropriation from the water and sewer fund balance, passed by council on December 1, 2005, will be used to fund \$1,300,000 of this project.
- The Finance Department has verified that the unexpended funds are available and could be used for this project.


Respectfully Submitted:


Amy N. Stecyk,
Civil Engineer I

Approved for Submittal:


Phil Nelson
City Manager

Funding Available:


Brent Worthington
F.I.S.S. Manager

COUNCIL ACTION TAKEN:

Integra Engineering

CHANGE ORDER

No. 00018

450 Decatur Street
Denver, CO 80204

Phone: 303.825.1802
Fax: 303.825.2322

TITLE: 42" Effluent Pipeline

DATE: 11/22/2005

PROJECT: WWTP Expansion

JOB:

TO: Attn: Todd Swallows
Glacier Construction Company
7302 S. Alton Way Suite 4I
Englewood, CO 80012
Fax: 303-221-5385

CONTRACT NO: 4

RE: COR

To:

From:

Number:00020

Item	Description	Stock#	Quantity	Units	Unit Price	Tax Rate	Tax Amount	Net Amount
00001	This Change Order is for the construction the final effluent pipeline as shown in the attached drawings. The Contractor will have three months from the Notice to Proceed to complete the work associated with this Change Order.		1		\$1,200,000.00	0.00%	\$0.00	\$1,200,000.00

Unit Cost: \$1,200,000.00
Unit Tax: \$0.00
Total: \$1,200,000.00

The Original Contract Sum was	\$11,149,000.00
Net Change by Previously Authorized Requests and Changes	\$55,607.25
The Contract Sum Prior to This Change Order was	\$11,204,607.25
The Contract Sum Will be Increased	\$1,200,000.00
The New Contract Sum Including This Change Order	\$12,404,607.25
The Contract Time Will Not Be Changed	
The Date of Substantial Completion as of this Change Order Therefore is	...

ACCEPTED:

Glacier Construction Company

Integra Engineering

City of Northglenn

By: T. Todd Swallows
Todd Swallows

By: Patrick D. Radabaugh
Patrick D. Radabaugh

By: _____
Kathleen M. Novak

Date: 12/21/2005

Date: 12/21/2005

Date: _____

Integra Engineering

CHANGE ORDER

No. 00018

450 Decatur Street
Denver, CO 80204

Phone: 303.825.1802
Fax: 303.825.2322

TITLE: 42" Effluent Pipeline

DATE: 11/22/2005

PROJECT: WWTP Expansion

JOB:

TO: Attn: Todd Swallows
Glacier Construction Company
7302 S. Alton Way Suite 4I
Englewood, CO 80012
Fax: 303-221-5385

CONTRACT NO: 4

RE: COR

To:

From:

Number:00020

Item	Description	Stock#	Quantity	Units	Unit Price	Tax Rate	Tax Amount	Net Amount
00001	This Change Order is for the construction the final effluent pipeline as shown in the attached drawings. The Contractor will have three months from the Notice to Proceed to complete the work associated with this Change Order.		1		\$1,200,000.00	0.00%	\$0.00	\$1,200,000.00

Unit Cost: \$1,200,000.00
Unit Tax: \$0.00
Total: \$1,200,000.00

The Original Contract Sum was	\$11,149,000.00
Net Change by Previously Authorized Requests and Changes	\$55,607.25
The Contract Sum Prior to This Change Order was	\$11,204,607.25
The Contract Sum Will be Increased	\$1,200,000.00
The New Contract Sum Including This Change Order	\$12,404,607.25
The Contract Time Will Not Be Changed	
The Date of Substantial Completion as of this Change Order Therefore is	...

ACCEPTED:

Glacier Construction Company

Integra Engineering

City of Northglenn

By: T. Todd Swallows
Todd Swallows

By: Patrick D. Radabaugh
Patrick D. Radabaugh

By: Kathleen M. Novak
Kathleen M. Novak

Date: 12/21/2005

Date: 12/21/2005

Date: _____



7302 South Alton Way • Suite 41 • Englewood, Colorado 80112
Phone— (303)221-5383 • Fax— (303)221-5385

November 18, 2005

City of Northglenn
11701 Community Center Drive
Northglenn, CO 80233-8061

Attn : Kurt Kowar

Re: Northglenn WWTP Improvements

Subject: Effluent line

Dear Kurt:

Glacier Construction Co. Inc. is pleased to have the opportunity to provide a quote for the new 42" Final Effluent Line. Our price for this work is 1.2 million dollars. This is based on the Revision 3 of the drawings dated 12/14/03. We have included the restoration of the sod and driveway at the Jackabucci property and removal of three large trees at the same location. This work will require a construction period of three months to complete from the "Notice to Proceed" date. Thank you for the opportunity.

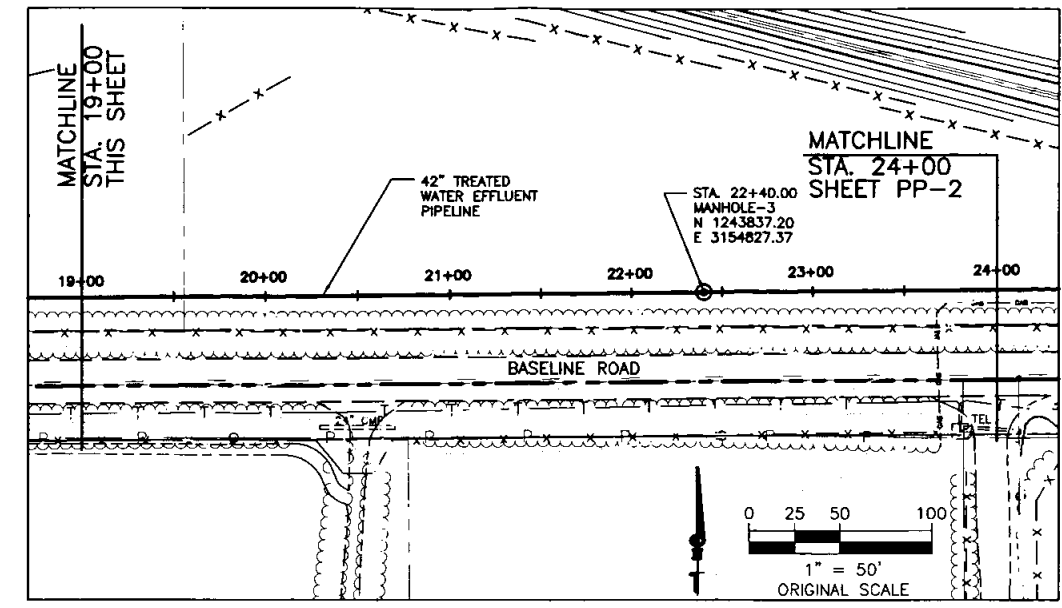
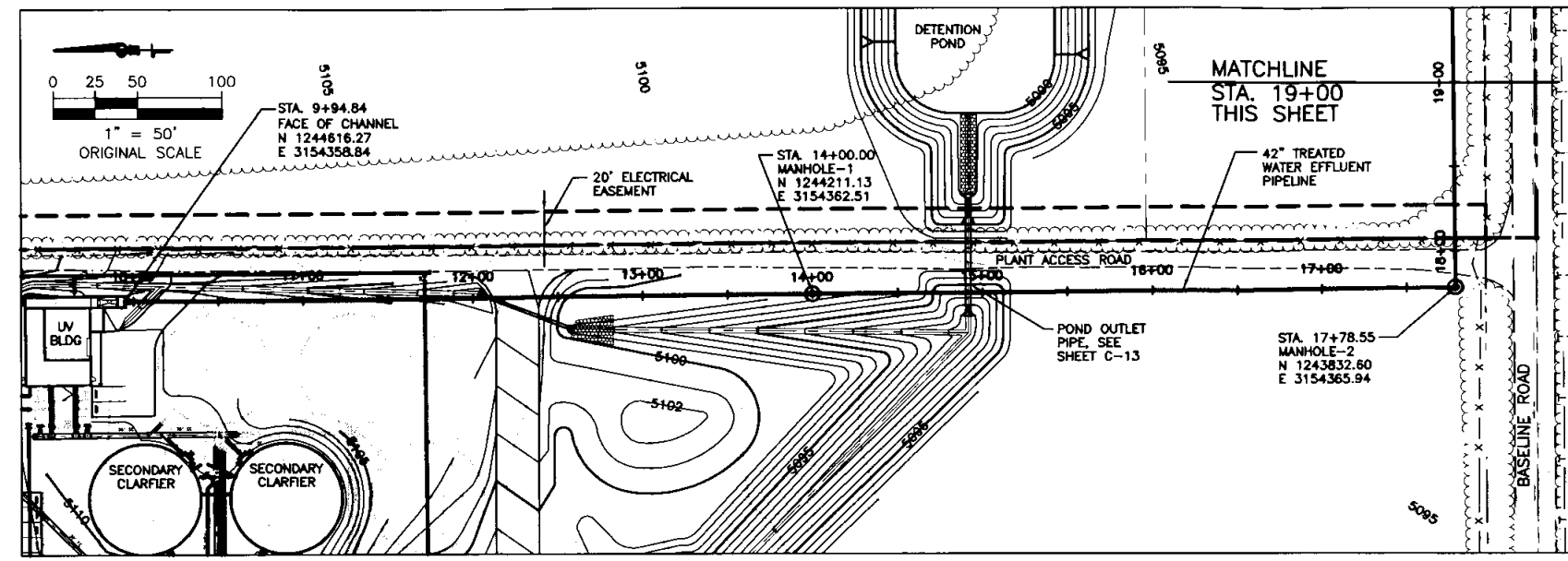
If you have any additional questions, concerns, or if we can help in any way, please feel free to contact me.

Sincerely,

Todd Swallows
Project Manager

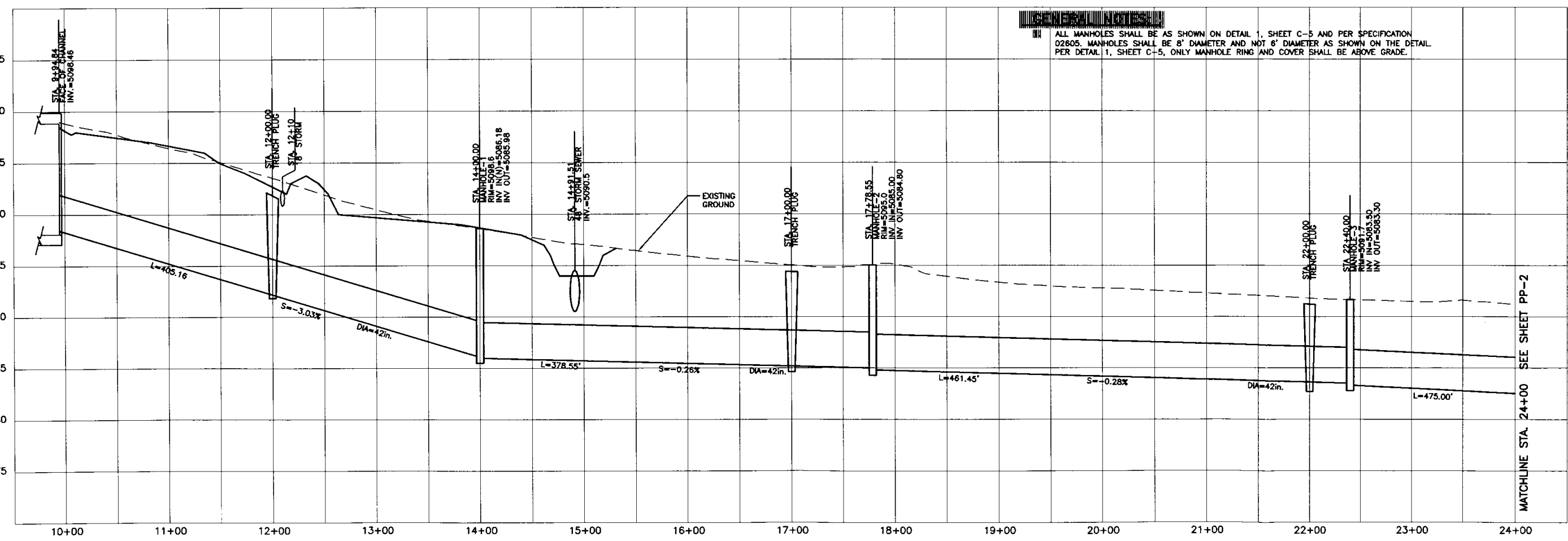
A B C D E F G H I J K L M N O P

10
9
8
7



10
9
8
7

6
5
4
3
2



ALL MANHOLES SHALL BE AS SHOWN ON DETAIL 1, SHEET C-5 AND PER SPECIFICATION 02605. MANHOLES SHALL BE 8' DIAMETER AND NOT 6' DIAMETER AS SHOWN ON THE DETAIL PER DETAIL 1, SHEET C-5, ONLY MANHOLE RING AND COVER SHALL BE ABOVE GRADE.

6
5
4
3
2

A B C D E F G H I J K L M N O P

ie
integra engineering
450 DECATUR STREET
Denver, Colorado 80204 (303)825-1802

LINE IS 2 INCHES
AT FULL SIZE
(IF NOT 2"-SCALE ACCORDINGLY)
DRAWING NG10PP01.dwg
DRAWN RLP
DESIGNED RLP
CHECKED MPL

APPROVED:
PRINCIPAL
DATE:

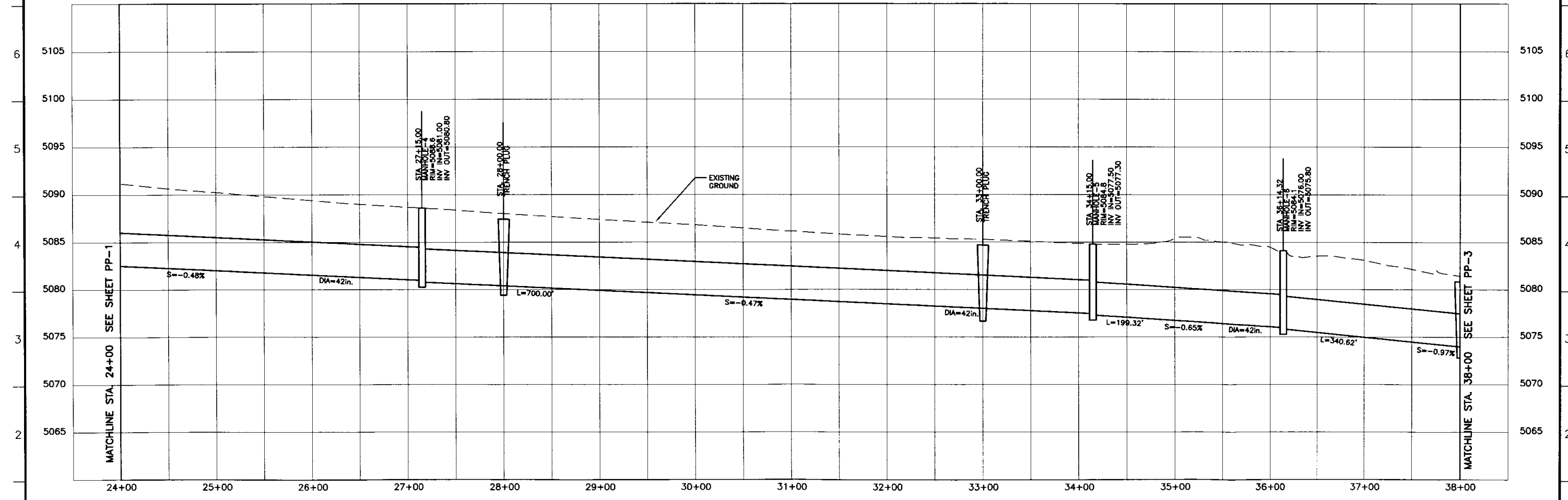
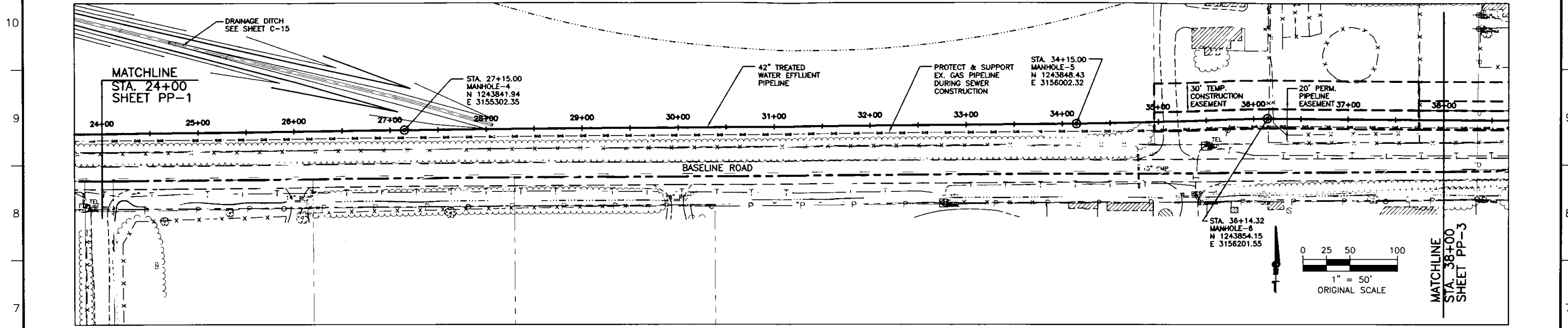
REVISIONS				
REV.	DESCRIPTION	BY	DATE	APP.
0	ISSUED FOR BID	RLP	04-04-04	MPL
1	WWTP IMPROVEMENTS CONSTRUCTION AMENDMENTS - FE PIPELINE	NJM	10-21-05	MPL
2	REVISED PROFILE	NJM	11-2-05	MPL
3	REVISED PER ENGINEERS COMMENTS	NJM	11-10-05	MPL
4	ISSUED FOR CONSTRUCTION	NJM	11-17-05	MPL

CITY OF NORTHGLENN
WASTEWATER TREATMENT PLANT

RETURN FLOW PIPELINE
PLAN AND PROFILE
STA. 9+94.84 TO STA. 24+00

DATE: 12-14-03
PROJECT NUMBER: NG10
REVISION NO. 4
DRAWING NUMBER
PP-1
SHEET NUMBER

A B C D E F G H I J K L M N O P



A B C D E F G H I J K L M N O P

ie
integra engineering
 450 DECATUR STREET
 DENVER, COLORADO 80204 (303)825-1802

LINE IS 2 INCHES
 AT FULL SIZE
 (IF NOT 2" SCALE ACCORDINGLY)

DRAWING NG10PP02.dwg
 DRAWN RLP
 DESIGNED RLP
 CHECKED MPL

APPROVED:

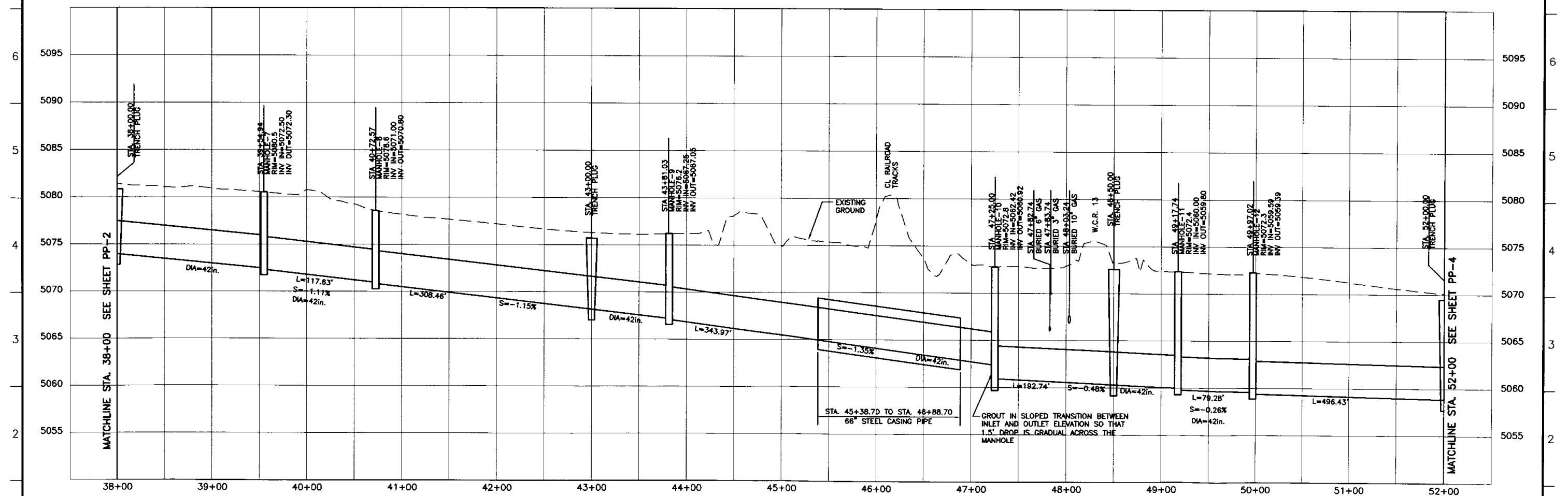
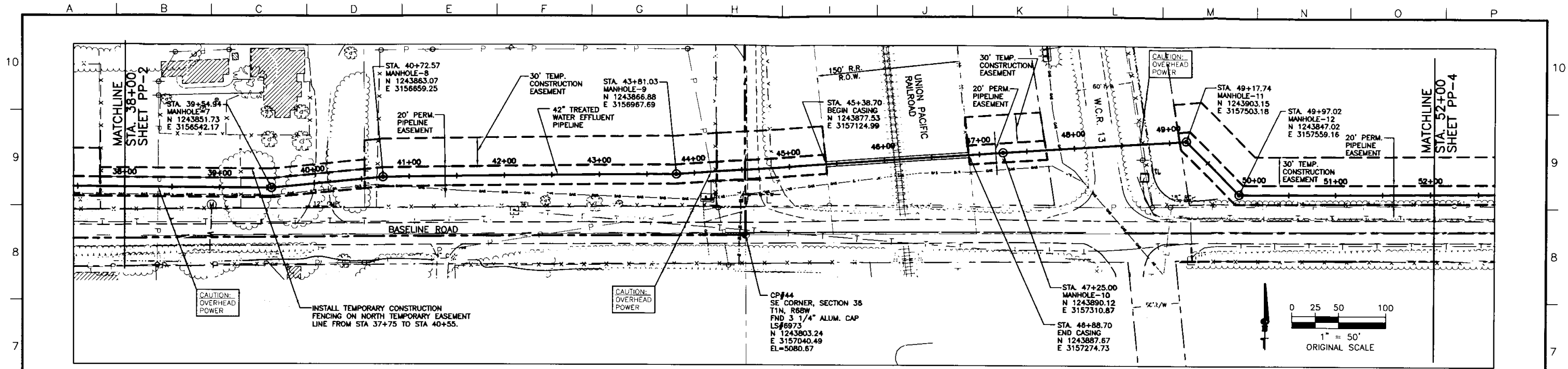
 PRINCIPAL
 DATE: _____

REVISIONS				
REV.	DESCRIPTION	BY	DATE	APP.
0	ISSUED FOR BID	RLP	04-04-04	MPL
1	WWTP IMPROVEMENTS CONSTRUCTION AMENDMENTS - FE PIPELINE	NJM	10-21-05	MPL
2	REVISED PROFILE	NJM	11-2-05	MPL
3	REVISED PER ENGINEERS COMMENTS	NJM	11-10-05	MPL
4	ISSUED FOR CONSTRUCTION	NJM	11-17-05	MPL

CITY OF NORTHGLENN
 WASTEWATER TREATMENT PLANT

DATE: 12-14-03
 PROJECT NUMBER: NG10
 REVISION NO. 4
 DRAWING NUMBER PP-2
 SHEET NUMBER

DATE: 12-14-03
 PROJECT NUMBER: NG10
 REVISION NO. 4
 DRAWING NUMBER PP-2
 SHEET NUMBER



ie
integra engineering
 450 DECATUR STREET
 Denver, Colorado 80204 (303)825-1802

LINE IS 2 INCHES
 AT FULL SIZE
 (IF NOT 2" SCALE ACCORDINGLY)
 DRAWING NG10PP03.dwg
 DRAWN RLP
 DESIGNED RLP
 CHECKED MPL

APPROVED:

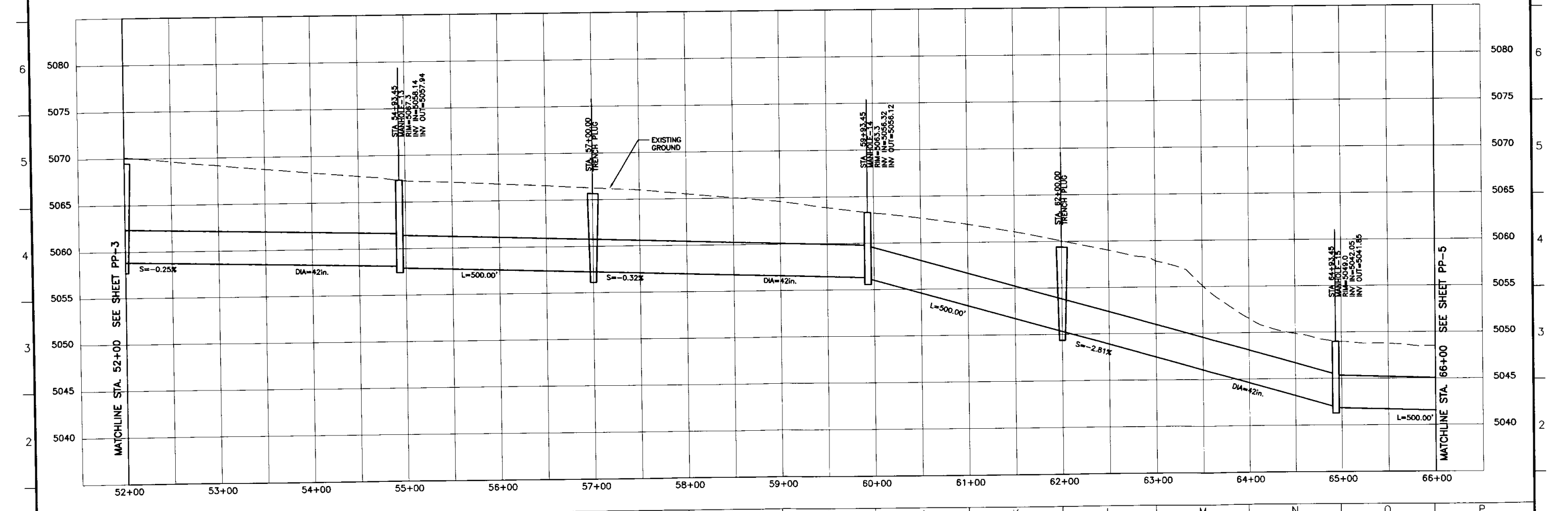
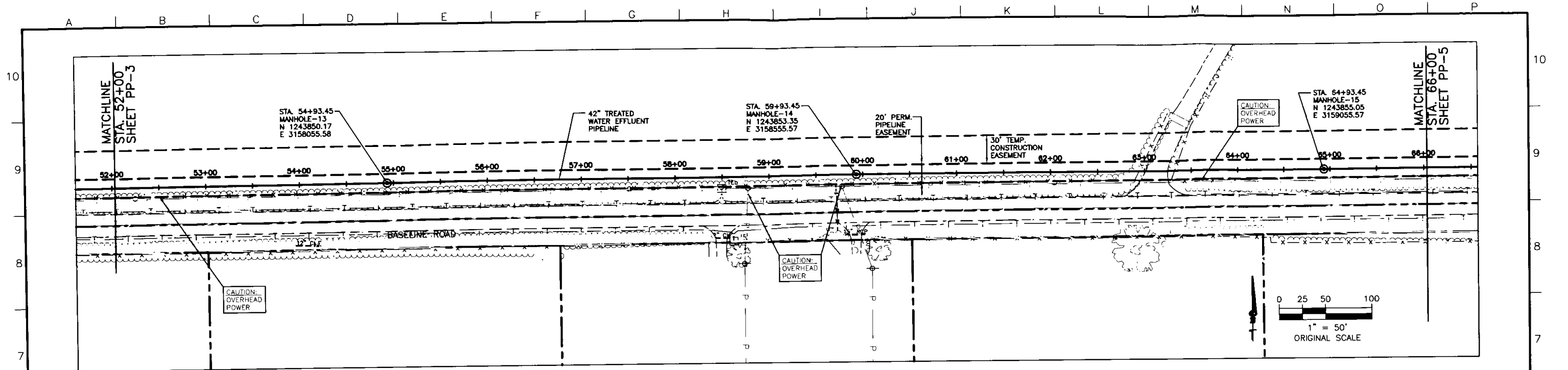
 PRINCIPAL
 DATE: _____

REVISIONS				
REV.	DESCRIPTION	BY	DATE	APP.
0	ISSUED FOR BID	RLP	04-04-04	MPL
1	WWTP IMPROVEMENTS CONSTRUCTION AMENDMENTS - FE PIPELINE	NJM	10-21-05	MPL
2	REVISED PROFILE	NJM	11-2-05	MPL
3	REVISED PER ENGINEERS COMMENTS	NJM	11-10-05	MPL
4	ISSUED FOR CONSTRUCTION	NJM	11-17-05	MPL

CITY OF NORTHGLENN
 WASTEWATER TREATMENT PLANT

RETURN FLOW PIPELINE
 PLAN AND PROFILE
 STA. 38+00 TO STA. 52+00

DATE: 12-14-03
 PROJECT NUMBER: NG10
 REVISION NO. 4
 DRAWING NUMBER
PP-3
 SHEET NUMBER



ie
integra engineering
 450 DECATUR STREET
 DENVER, COLORADO 80204 (303)825-1802

LINE IS 2 INCHES
 AT FULL SIZE
 (IF NOT 2" SCALE ACCORDINGLY)
 DRAWING: NG10PP04.dwg
 DRAWN: RLP
 DESIGNED: RLP
 CHECKED: MPL

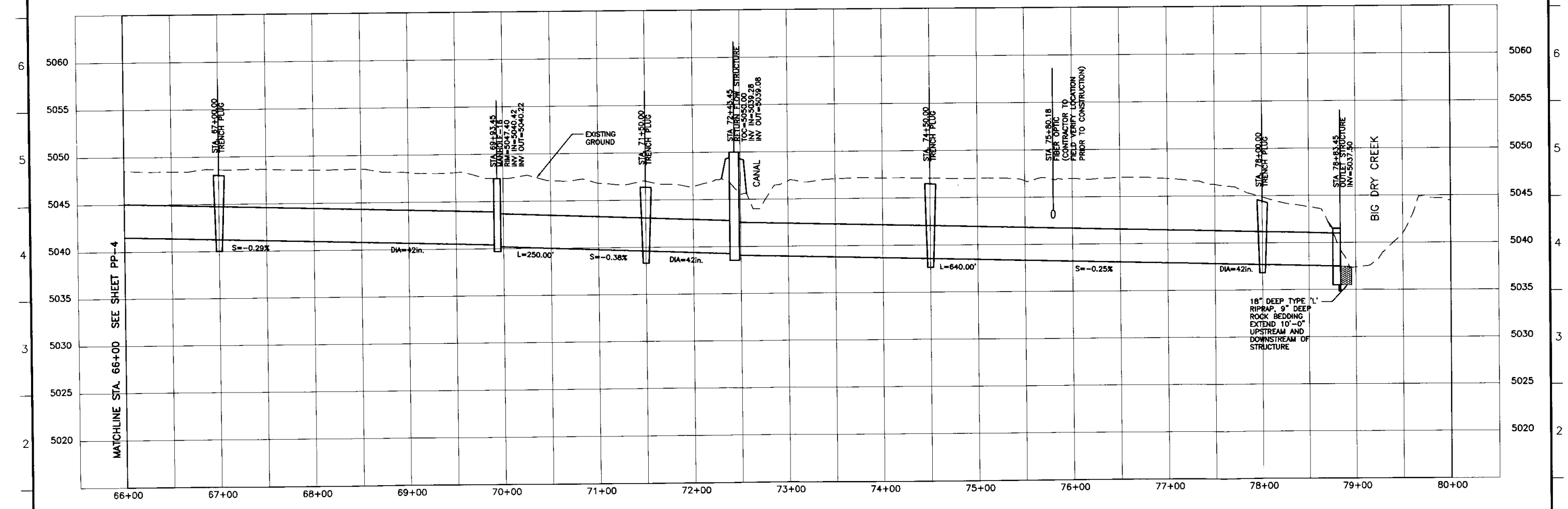
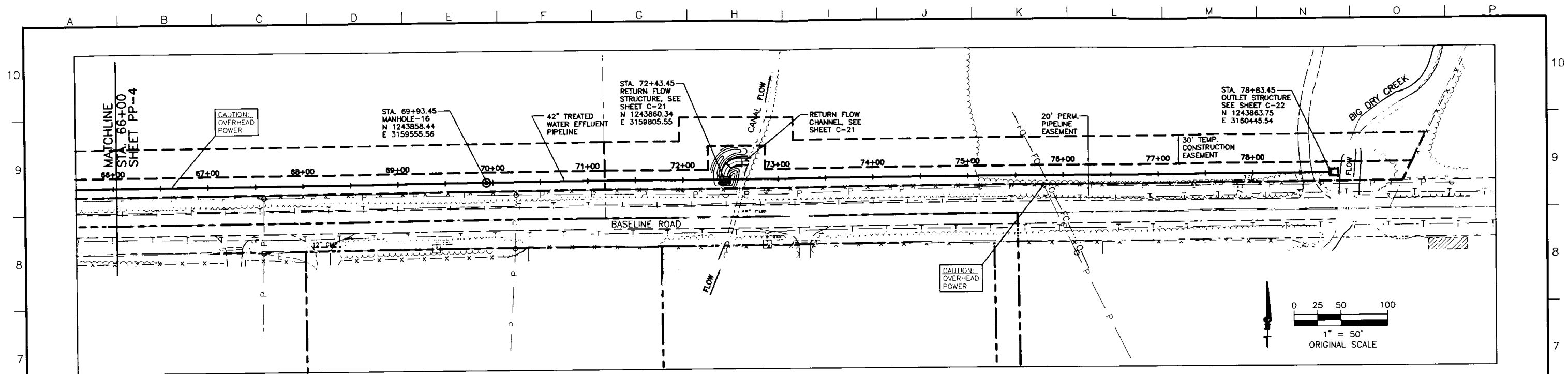
APPROVED:
 PRINCIPAL
 DATE:

REVISIONS				
REV.	DESCRIPTION	BY	DATE	APP.
0	ISSUED FOR BID	RLP	04-04-04	MPL
1	WWTP IMPROVEMENTS CONSTRUCTION AMENDMENTS - FE PIPELINE	NJM	10-21-05	MPL
2	REVISED PROFILE	NJM	11-2-05	MPL
3	REVISED PER ENGINEERS COMMENTS	NJM	11-10-05	MPL
4	ISSUED FOR CONSTRUCTION	NJM	11-17-05	MPL

CITY OF NORTHGLENN
 WASTEWATER TREATMENT PLANT

RETURN FLOW PIPELINE
 PLAN AND PROFILE
 STA. 52+00 TO STA. 66+00

DATE: 12-14-03
 PROJECT NUMBER: NG10
 REVISION NO. 4
 DRAWING NUMBER PP-4
 SHEET NUMBER



integra engineering
 450 DECATUR STREET
 Denver, Colorado 80204 (303)825-1802

LINE IS 2 INCHES
 AT FULL SIZE
 (IF NOT 2" SCALE ACCORDINGLY)

DRAWING NG10PP05.dwg
 DRAWN RLP
 DESIGNED RLP
 CHECKED MPL

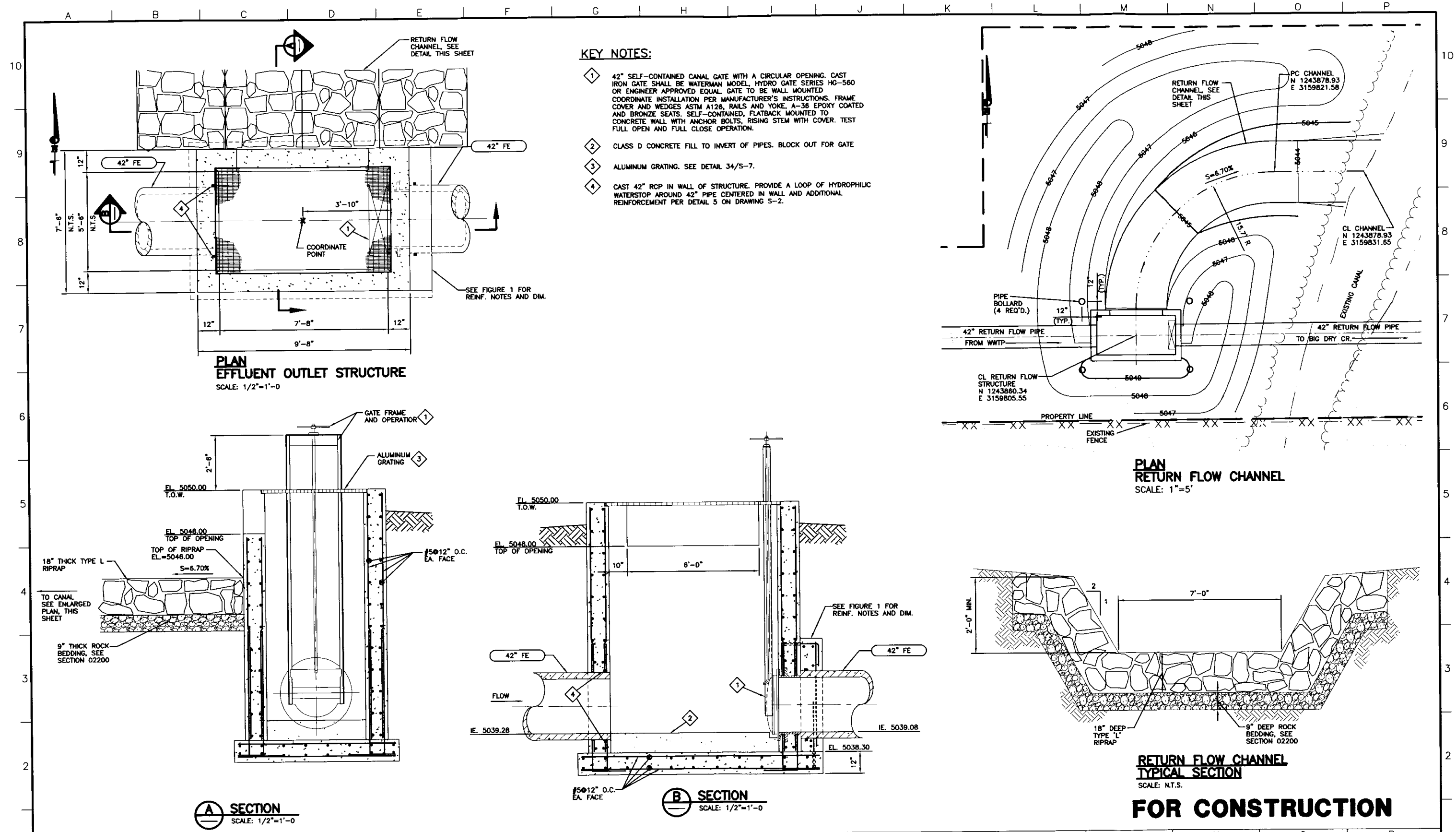
APPROVED:
 PRINCIPAL
 DATE:

REVISIONS				
REV.	DESCRIPTION	BY	DATE	APP.
0	ISSUED FOR BID	RLP	04-04-04	PMP
1	WWTP IMPROVEMENTS CONSTRUCTION AMENDMENTS - FE PIPELINE	NJM	10-21-05	MPL
2	REVISED PROFILE	NJM	11-2-05	MPL
3	REVISED PER ENGINEERS COMMENTS	NJM	11-10-05	MPL
4	ISSUED FOR CONSTRUCTION	NJM	11-17-05	MPL

CITY OF NORTHGLENN
 WASTEWATER TREATMENT PLANT

RETURN FLOW PIPELINE
 PLAN AND PROFILE
 STA. 66+00 TO STA. 78+83.45

DATE: 12-14-03
 PROJECT NUMBER: NG10
 REVISION NO. 4
 DRAWING NUMBER PP-5
 SHEET NUMBER



ie.
integra engineering
450 DECATUR STREET
Denver, Colorado 80204 (303)825-1802

LINE IS 2 INCHES
AT FULL SIZE
(IF NOT 2"-SCALE ACCORDINGLY)

DRAWING NG10C021.dwg
DRAWN RFW
DESIGNED RRP
CHECKED MEM

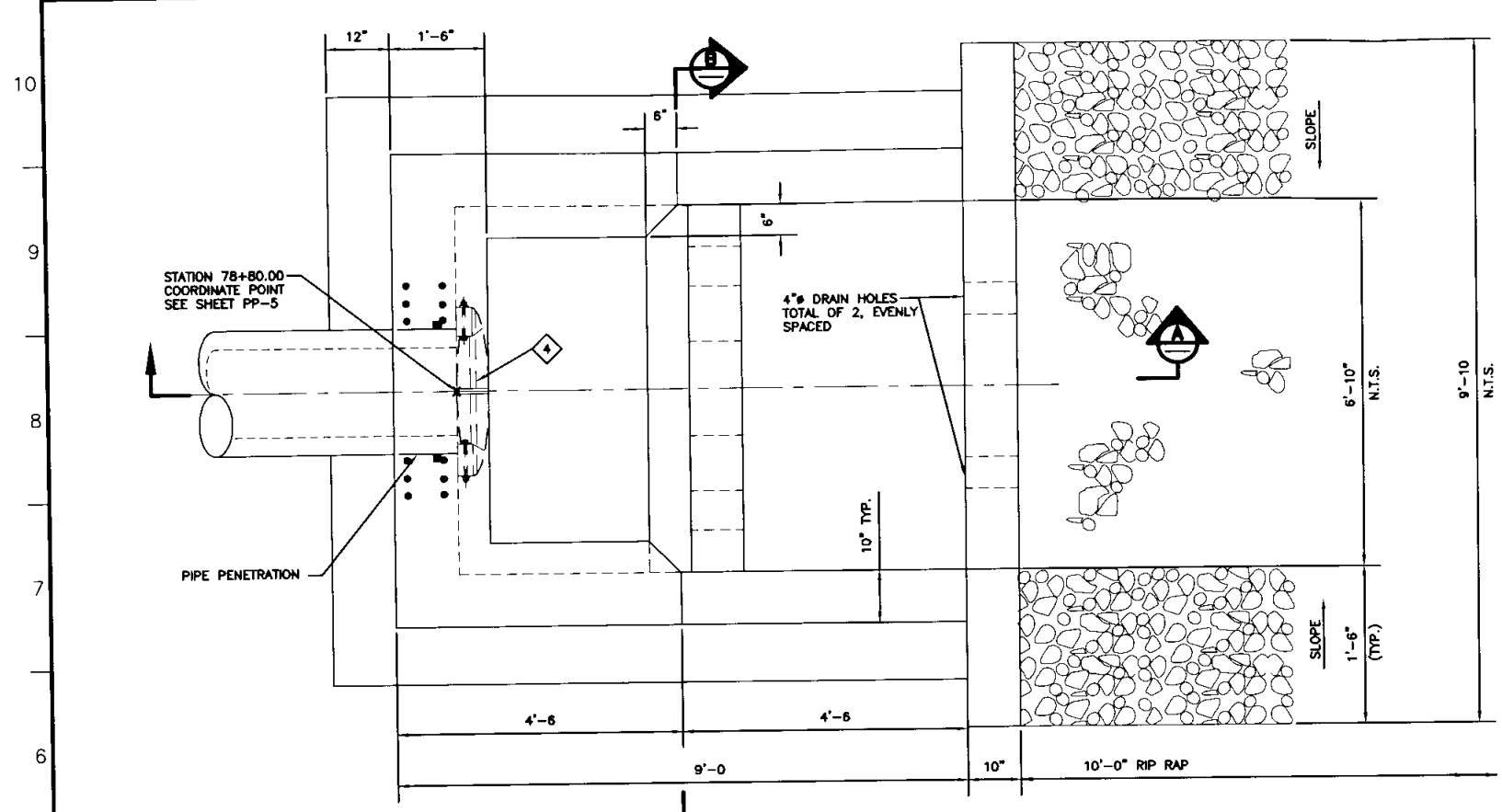
APPROVED:
PRINCIPAL
DATE:

REVISIONS				
REV.	DESCRIPTION	BY	DATE	APP.
0	ISSUED FOR BID	RLP	04-04-04	RRP
1	ISSUED FOR CONSTRUCTION	JMB	06-04-04	RRP

CITY OF NORTHGLENN, COLORADO
WASTEWATER TREATMENT PLANT

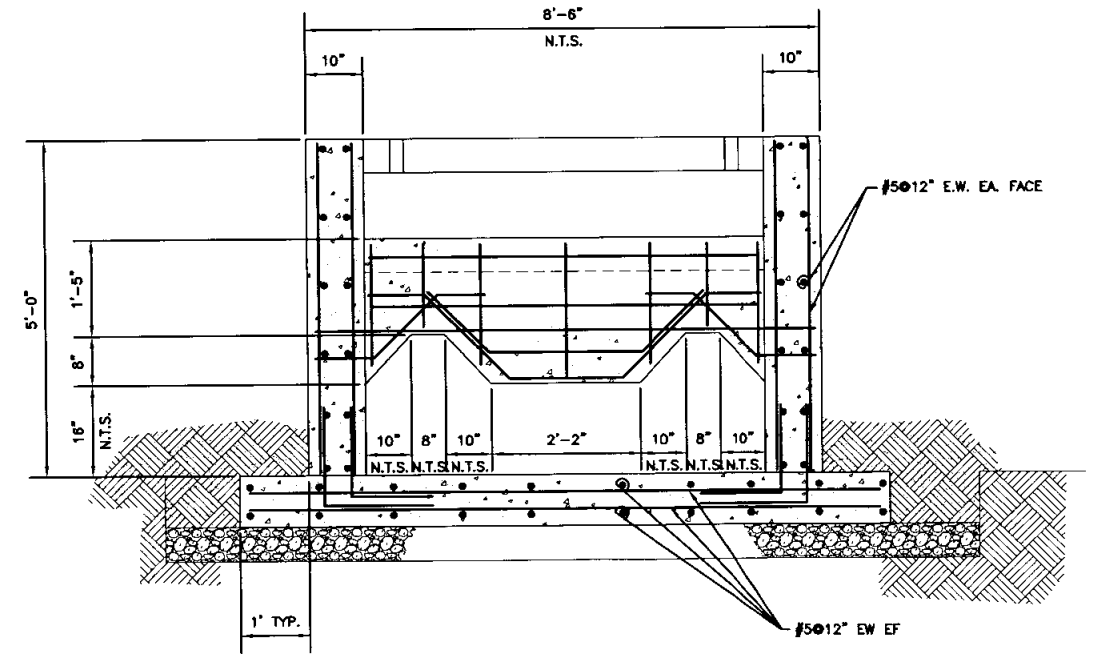
RETURN FLOW STRUCTURE
PLAN AND SECTIONS

DATE: 12-12-03
PROJECT NUMBER: NG10
REVISION NO. 1
DRAWING NUMBER
C-21
SHEET NUMBER
34 OF 255

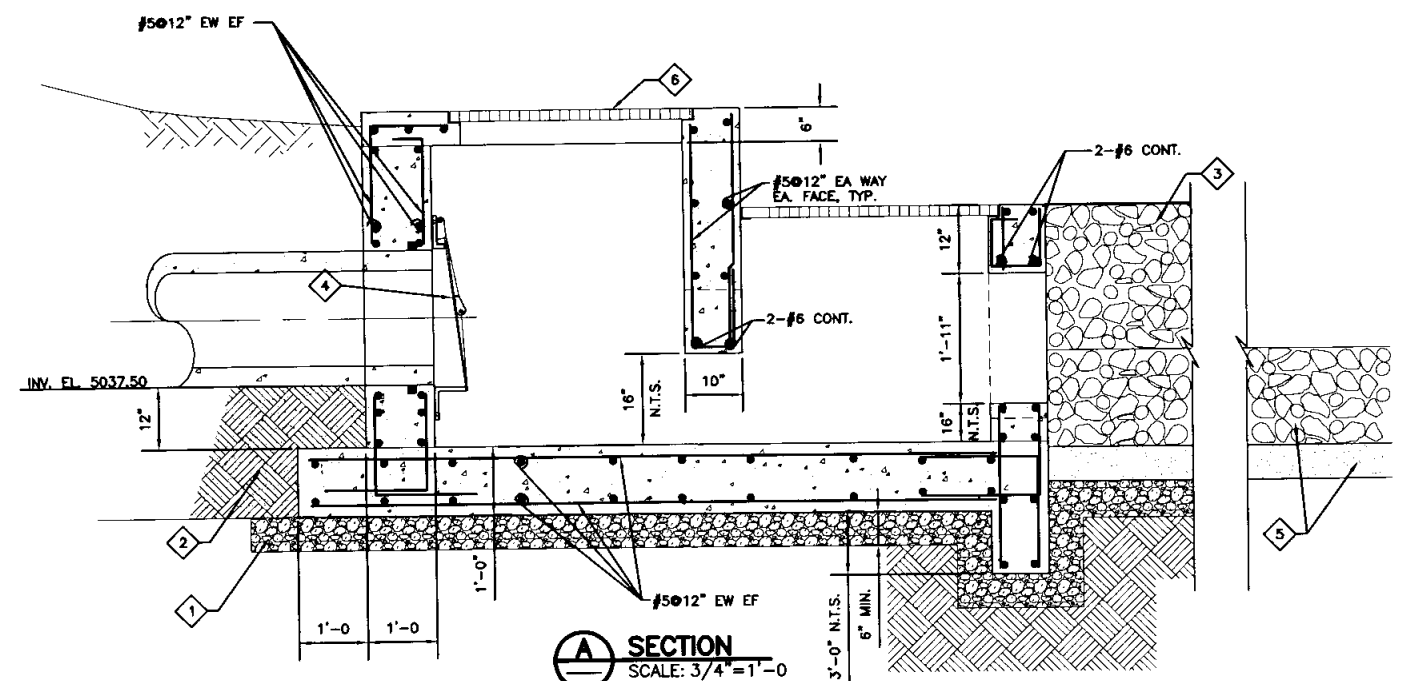


**PLAN
UPPER PLAN**
SCALE: 3/4"=1'-0"

- KEY NOTES:**
- 1 DRAIN ROCK, SEE SECTION 02200.
 - 2 PIPE BEDDING, SEE SECTION 02200.
 - 3 WIRE TIED TYPE L RIPRAP STEEL STAKES PLACED AT 1' OFFSET FROM EDGES AND 4' CENTERS.
 - 4 30" V-692 FLAP VALVE
FLAP GATE SHALL BE MODEL 20C MANUFACTURED BY HYDRO GATE OR ENGINEER APPROVED EQUAL. FRAME AND COVER ALUMINUM T6061-T6. ASSEMBLY HARDWARE STAINLESS STEEL TYPE 18-8, FALT BACK MOUNTING TO HEADWALL.
 - 5 18" DEEP TYPE 'L' RIPRAP W/ 9" DEEP ROCK BEDDING. SEE SECTION 02200.
 - 6 ALUMINUM GRATING, SEE DETAIL 34/S-7.
 - 7 CAST 42" RCP IN WALL OF STRUCTURE. PROVIDE A LOOP OF HYDROPHILIC WATERSTOP AROUND 42" PIPE CENTERED IN WALL AND ADDITIONAL REINFORCEMENT PER DETAIL 5 ON DRAWING S-2.



B SECTION
SCALE: 3/4"=1'-0" **FOR CONSTRUCTION**



A SECTION
SCALE: 3/4"=1'-0"

ie.
integra engineering
450 DECATUR STREET
Denver, Colorado 80204 (303)825-1802

LINE IS 2 INCHES
AT FULL SIZE
(IF NOT 2"=SCALE ACCORDINGLY)

DRAWING NG10C022B.dwg
DRAWN JMB
DESIGNED MPL
CHECKED MPL

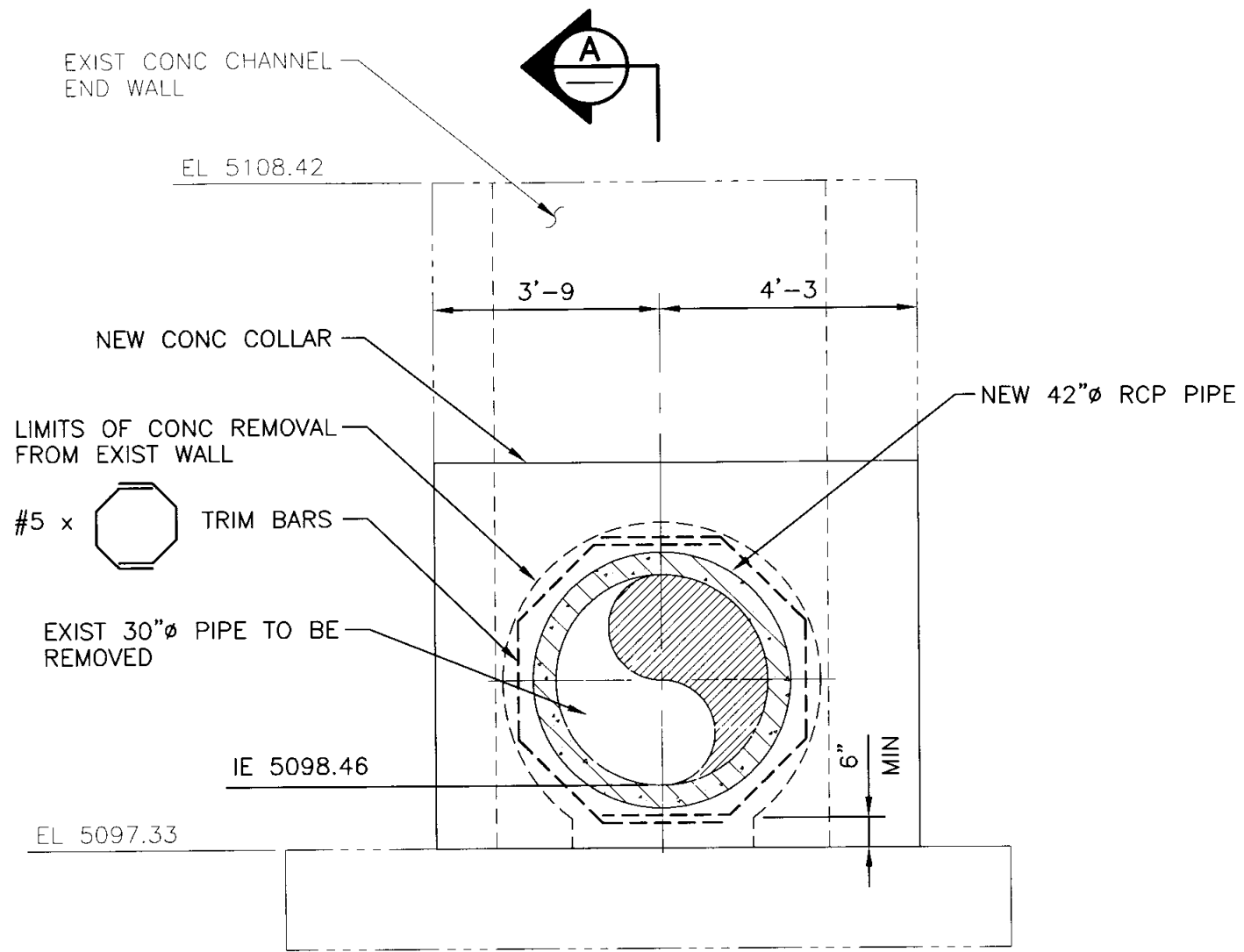
APPROVED:
PRINCIPAL
DATE:

REVISIONS				
REV.	DESCRIPTION	BY	DATE	APP.
D	ISSUED FOR BID	RLP	04-04-04	RRP
1	ISSUED FOR CONSTRUCTION	JMB	06-04-04	RRP

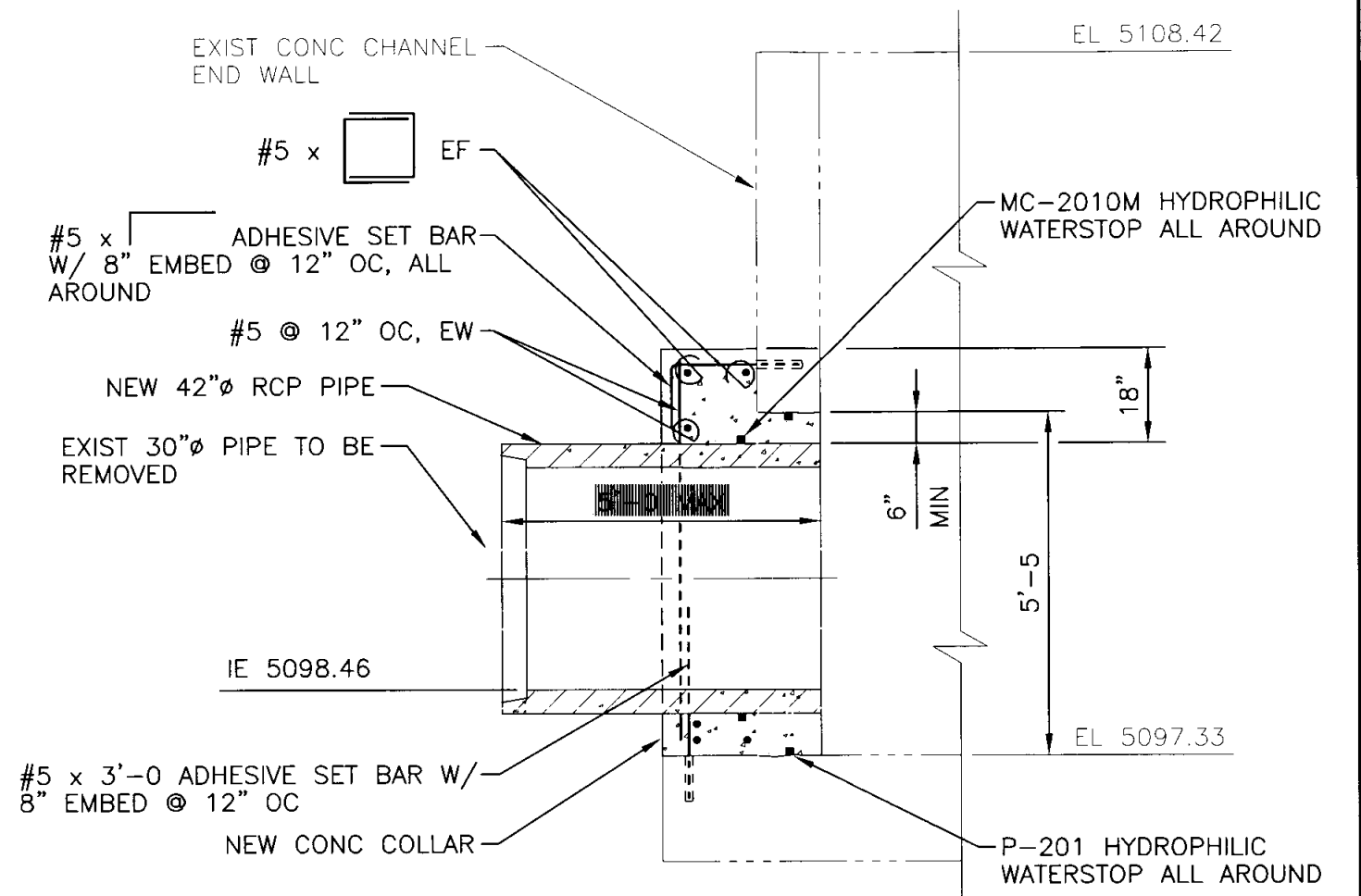
CITY OF NORTHGLENN, COLORADO
WASTEWATER TREATMENT PLANT

OUTLET STRUCTURES

DATE: 12-12-03
PROJECT NUMBER: NG10
REVISION NO. 1
DRAWING NUMBER C-22B
SHEET NUMBER 35 OF 255



ELEVATION
OUTFALL CHANNEL
 SCALE: 3/8"=1'-0



A SECTION

SCALE: 3/8"=1'-0