

**PUBLIC WORKS MEMORANDUM  
#24-2021**

**DATE:** June 28, 2021  
**TO:** Honorable Mayor Meredith Leighty and City Council Members  
**THROUGH:** Heather Geyer, City Manager *Hmg*  
**FROM:** Kent Kisselman PE, Director of Public Works *KHK*  
**SUBJECT:** CR-65 – 112<sup>th</sup> Avenue and Irma Drive Drainage Improvements

---

**PURPOSE**

To consider CR-65, a resolution approving a contract with Colorado Civil Infrastructure, Inc. for construction of the 112<sup>th</sup> Avenue and Irma Drive Drainage Improvements project.

**BACKGROUND**

The 112<sup>th</sup> Avenue and Irma Drive Drainage Improvements project is designed to address drainage issues in the area west of the intersection of East 112<sup>th</sup> Avenue and Irma Drive. Improvements include installing curb and gutter along the south side of East 112<sup>th</sup> Avenue, storm drain inlet and storm sewer.

On April 12, 2021, the City issued an Invitation for Bid (IFB 2021-011) for the project. A mandatory pre-bid meeting was held on April 19, 2021, in which nine prospective contractors attended. On April 30, 2021, the City accepted six bids ranging from \$156,748 to \$470,440.

The variance in bids resulted in City staff contacting the designer engineer, J&T Consulting, to review bids. Comparing to the engineer's estimate and current market conditions, J&T Consulting advised City staff the lowest responsible bidder was Colorado Civil Infrastructure, Inc. with a bid of \$225,959.

**BUDGET/TIME IMPLICATIONS**

Work completed under this contract will be charged to the Stormwater Fund for 2021.

	<b>Amount</b>
Appropriation – Stormwater Fund	\$412,555
Colorado Civil Infrastructure, Inc.	\$225,959
Contingency (15%)	\$33,894
<b>Budget Remaining</b>	<b>\$152,702</b>

The contractor has 30 calendar days to complete the work after staff issues the Notice to Proceed. Once the contract is approved, staff will coordinate with Colorado Civil Infrastructure, Inc. for a project start date in late July and final completion in early September.

**STAFF RECOMMENDATION**

Attached is CR-65, a resolution that, if approved, would authorize the Mayor to execute a contract between the City and Colorado Civil Infrastructure, Inc. for the 112<sup>th</sup> Avenue and Irma Drive Drainage Improvements project in an amount not to exceed \$225,959 and authorizes the City Manager, on behalf of the City, to approve minor changes in scope of services and execute

CR-65 – 112<sup>th</sup> Avenue and Irma Drive Drainage Improvements

June 28, 2021

Page 2 of 2

relevant change orders up to the approved expenditure limit of \$259,853. Staff recommends approval of CR-65.

**STAFF REFERENCE**

If Council members have any questions, please contact Kent Kisselman, Director of Public Works, at [kkisselman@northglenn.org](mailto:kkisselman@northglenn.org) or 303.450.4005.

**ATTACHMENT**

1. Bid summary

CR-65 – 112<sup>th</sup> Avenue and Irma Drive Drainage Improvements

112<sup>th</sup> Avenue and Irma Drive Drainage Improvements Contract



CITY OF NORTHGLENN  
FORMAL BID SUMMARY

BID NUMBER: IFB 2021-011

BID NAME: 112th and Irma Drive Drainage Improvements

DEPARTMENT: Public Works

	JHL Constructors	Tech Con Infrastructure LLC	Diamond Contracting Corp	DREAM Builders Inc	Colorado Civil Infrastructure INC
	BID RECEIVED	BID RECEIVED	BID RECEIVED	BID RECEIVED	BID RECEIVED
DATE DUE: 04/30/21	DATE: 4/30/21	DATE: 4/30/21	DATE: 4/30/21	DATE: 4/30/21	DATE: 4/30/21
TIME: 2:00 p.m. MST	TIME: 12 <sup>22</sup> P	TIME: 1 <sup>31</sup> P	TIME: 1 <sup>41</sup> P	TIME: 1 <sup>42</sup> P	TIME: 1 <sup>45</sup> P
Addendum 1	YES	YES	YES	YES	YES
Addendum 2	YES	YES	NO	YES	YES
Total Price - Base Bid	\$470,440 <sup>-</sup>	294,940 <sup>-</sup>	311,815 <sup>-</sup>	156,740 <sup>-</sup>	225,959 <sup>-</sup>

*[Signature]*  
Finance Department

*[Signature]*  
City's Clerk's Office

4/30/21  
Date



CITY OF NORTHGLENN  
FORMAL BID SUMMARY

BID NUMBER: IFB 2021-011  
 BID NAME: 112th and Irma Drive Drainage Improvements  
 DEPARTMENT: Public Works

	Stone and Concrete				
	BID RECEIVED	BID RECEIVED	BID RECEIVED	BID RECEIVED	BID RECEIVED
DATE DUE: 04/30/21	DATE: 4/30/21	DATE:	DATE:	DATE:	DATE:
TIME: 2:00 p.m. MST	TIME: 1:52 P	TIME:	TIME:	TIME:	TIME:
Addendum 1	YES				
Addendum 2	YES				
Total Price - Base Bid	\$ 309,113 <sup>30</sup>				

*Betty Nohr*  
 Finance Department

*[Signature]*  
 City's Clerk's Office

4/30/21  
 Date

SPONSORED BY: MAYOR LEIGHTY

COUNCILMAN'S RESOLUTION

RESOLUTION NO.

No. CR-65  
Series of 2021

\_\_\_\_\_  
Series of 2021

A RESOLUTION APPROVING AN AGREEMENT BETWEEN THE CITY OF NORTHGLENN AND COLORADO CIVIL INFRASTRUCTURE, INC. FOR THE 112<sup>TH</sup> AVENUE AND IRMA DRIVE DRAINAGE IMPROVEMENTS PROJECT

BE IT RESOLVED BY THE CITY COUNCIL OF THE CITY OF NORTHGLENN, COLORADO, THAT:

Section 1. The Trade Contractor Agreement between the City of Northglenn and Colorado Civil Infrastructure, Inc., attached hereto, in the amount of \$225,959.00 with a fifteen percent (15%) contingency of \$33,894.00 for a total amount not to exceed \$259,853.00 for the 112<sup>th</sup> Avenue and Irma Drive Drainage Improvements Project is hereby approved and the Mayor is authorized to execute same on behalf of the City of Northglenn.

DATED, at Northglenn, Colorado, this \_\_\_\_\_ day of \_\_\_\_\_, 2021.

\_\_\_\_\_  
MEREDITH LEIGHTY  
Mayor

ATTEST:

\_\_\_\_\_  
JOHANNA SMALL, CMC  
City Clerk

APPROVED AS TO FORM:

\_\_\_\_\_  
COREY Y. HOFFMANN  
City Attorney

**TRADE CONTRACTOR AGREEMENT**

**TABLE OF CONTENTS**

**ARTICLE 1 - GENERAL PROVISIONS AND SERVICES..... 1**

**ARTICLE 2 - DEFINITIONS..... 1**

**ARTICLE 3 - DESCRIPTION OF WORK AND SERVICES..... 3**

**ARTICLE 4 – TRADE CONTRACTOR'S CONSTRUCTION SCHEDULE .....15**

**ARTICLE 5 - TIME FOR COMPLETION AND LIQUIDATED DAMAGES.....15**

**ARTICLE 6 - CONTRACT SUM.....17**

**ARTICLE 7 - CORRECTION OF WORK .....19**

**ARTICLE 8 - TEMPORARY FACILITIES AND SERVICES .....19**

**ARTICLE 9 - INDEMNIFICATION AND INSURANCE .....19**

**ARTICLE 10 - PERFORMANCE, LABOR AND MATERIAL PAYMENT BONDS .....22**

**ARTICLE 11 – CLAIMS AND DISPUTES.....22**

**ARTICLE 12 - RESOLUTION OF CLAIMS AND DISPUTES .....24**

**ARTICLE 13- TERMINATION.....25**

**ARTICLE 14 - SIMULTANEOUS WORK BY OTHERS .....26**

**ARTICLE 15 - SUBCONTRACTING.....27**

**ARTICLE 16 - GUARANTY .....28**

**ARTICLE 17 - SALES TAX .....28**

**ARTICLE 18 - MISCELLANEOUS PROVISIONS.....28**

**ARTICLE 19 - ATTACHMENTS, SCHEDULES AND SIGNATURES.....30**

## TRADE CONTRACTOR AGREEMENT

THIS AGREEMENT is made and entered into this \_\_\_\_ day of \_\_\_\_\_, 20\_\_\_\_, by and between the City of Northglenn, State of Colorado, a Colorado home rule municipal corporation, hereinafter referred to as the "City" or "Owner" and Colorado Civil Infrastructure, Inc., hereinafter referred to as the "Trade Contractor".

### ARTICLE 1 - GENERAL PROVISIONS AND SERVICES

A. The Trade Contractor will commence and fully complete the construction of the 112th and Irma Drive Drainage Improvements Project, which is described in **Exhibit A**, which is attached hereto and made a part hereof ("Project").

B. The Trade Contractor will furnish all of the material, supplies, tools, equipment, labor and other services necessary for the construction and completion of the project described herein.

C. The Trade Contractor will commence the work required by the contract documents within ten (10) calendar days after the date of the notification to proceed and will complete the same within thirty (30) day, unless the period for completion is extended otherwise by the contract documents. The Trade Contractor agrees to pay as liquidated damages, and not as a penalty, the sum of five hundred dollars (\$500) for each consecutive calendar day's delay in completing this Contract after the completion dated specified herein, excluding any approved extensions of time because of unavoidable delay.

D. The Trade Contractor agrees to perform all of the work described in the contract documents and to comply with the terms therein for an amount not to exceed two hundred twenty-five thousand nine hundred fifty-nine dollars (\$225,959) as described in Article 5 of this Agreement.

### ARTICLE 2 - DEFINITIONS

A. Wherever used in the contract documents, the following terms shall have the meanings indicated which shall be applicable to both the singular and plural thereof:

1. Addenda - Written or graphic instruments issued prior to the execution of the Agreement which modify or interpret the contract documents, drawings and specifications, by additions, deletions, clarifications or corrections.

2. Architect - The Architect shall be n/a

3. Bid - The offer or proposal of the bidder submitted in the prescribed form setting forth the prices for the work to be performed.

4. Bidder - Any person, firm or corporation submitting a bid for the work.

5. Bonds - Bid, performance and payment bonds and other instruments of security, furnished by the Trade Contractor and his surety in accordance with the contract documents.

6. Change Order - A written order to the Trade Contractor authorizing an addition, deletion or revision in the work within the general scope of the contract documents, or authorizing an adjustment in the contract price and/or contract time.

7. Contract Documents - The contract, including advertisement for bids, information for bidders, bid, bid bond agreement, bid schedule, labor and material, payment bond, performance bond, notice of award, notice to proceed, change order, general conditions, special conditions, general specifications, special specifications, scopes of work, addenda, drawings, schedules and any and all other documents or papers included or referred to in the foregoing documents are part of the Contract Documents

8. Contract Price - The total monies payable to the Trade Contractor under the terms and conditions of the contract documents.

9. Contract Time - The number of calendar days stated in the contract documents for the completion of the work.

10. Date of Award - Date of award of contract shall mean the date formal notice of such award, approved by the Owner, has been delivered to the intended awardee, or mailed to him at the main business address shown in his proposal by the Owner or it's authorized representative.

11. Day or Days - Unless herein otherwise expressly defined, "day" shall mean calendar day or days.

12. Drawings, Plans or Contract Documents - The part of the contract documents which shows the characteristics and scope of the work to be performed and which has been prepared or approved by the Engineer and/or Architect.

13. Engineer shall be Nathan Haasis, P.E.

14. Field Order - A written order effecting a change in the work not involving an adjustment in the contract price or an extension of the contract time, issued by the Engineer or the Owner to the Trade Contractor during construction.

15. Major Equipment or Major Equipment Items - Installation of major equipment to be furnished and placed under the contract awarded to the Trade Contractor and/or installations of major equipment to be furnished by the Owner and received, unloaded, stored, and placed under the contract awarded to the Trade Contractor.

16. Notice of Award - The written notice of the acceptance of the bid from the Owner to the successful bidder.

17. Notice to Proceed - Written communication issued by the Owner to the Trade Contractor authorizing him to proceed with the work and establishing the date of commencement of the work.

18. Owner or City - The City of Northglenn, Colorado, a home rule municipality. The Public Works Director of the Owner, or his designee, is the Owner's representative.

19. Project - Construction of the project described in **Exhibit A**.



20. Shop Drawings - All drawings, diagrams, illustrations, brochures, schedules, and other data which are prepared by the Trade Contractor, a subcontractor, manufacturer, supplier or distributor, which illustrate how specific portions of the work shall be fabricated or installed.

21. Site - The lands and other places on, under, in, or through which the work is to be executed or carried out and any other lands or places provided by the Owner for the purposes of the contract together with such other places as may be specifically designed in the contract documents as forming part of the site.

22. Special Conditions - Supplemental conditions that apply to specific aspects of the project or modifications to the general conditions that are to be adhered to in the project.

23. Subcontractor - An individual, firm or corporation having a direct contract with the Trade Contractor or with any other subcontractor for the performance of a part of the work at the site.

24. Substantial Completion - That date as certified by the Owner when the construction of the project or a specified part thereof is sufficiently completed, in accordance with the contract documents, so that the project or specified part can be utilized for the purposes for which it is intended.

25. Suppliers - Any person, supplier, or organization who supplies materials or equipment for the work, including that fabricated to a special design, but who does not perform labor at the site. A supplier is not a subcontractor who purchases an item of equipment from a manufacturer.

26. Trade Contractor - The person, firm or corporation with whom the City of Northglenn has executed this Agreement.

27. Work - All labor necessary to produce the construction required by the contract documents, and all materials and equipment incorporated or to be incorporated in the project. The work and the project are used interchangeably to mean the same thing.

28. Written Notice - Any notice to any party of the Agreement relative to any part of the Agreement in writing and considered delivered and the service thereof completed when posted by certified or registered mail to the said party at his last given address, or delivered in person to said party or his authorized representative on the work.

### **ARTICLE 3 - DESCRIPTION OF WORK AND SERVICES**

#### **Section 1. Drawings and Specifications.**

- A. The intent of the drawings and specifications is that the Trade Contractor shall furnish all labor, materials, tools, equipment, and transportation necessary for the proper execution of the work in accordance with the contract documents and all incidental work necessary to complete the project in an acceptable manner, ready for use, occupancy or operation by the Owner.

B. Up to three (3) copies of the drawings and specifications will be furnished to the Trade Contractor without charge upon request, and any additional copies which the Trade Contractor may request will be furnished at the cost of reproduction. The drawings and specifications are to be used only in connection with the work specified herein and, with the exception of the signed contract set and As-Built drawings, are to be returned at the completion of the contract.

C. In case of conflict between the drawings and specifications, the drawings will govern. In case of conflict between the special specifications and the general specifications, the special specifications shall govern. Figure dimension on drawings will govern over scale dimensions, and detailed drawings will govern over general drawings. Notwithstanding the above, a document which is more restrictive or requires greater responsibility or increased compliance by the Trade Contractor shall govern.

D. Any discrepancies found between the drawings and specifications and site conditions or any inconsistencies or ambiguities in the drawings or specifications shall be immediately reported to the Owner, in writing, who will promptly resolve such inconsistencies or ambiguities in writing. Work done on unreported discrepancies, inconsistencies or ambiguities by the Trade Contractor shall be done at the Trade Contractor's risk.

E. The Trade Contractor may be furnished additional instructions and detail drawings, by the Owner, as necessary to carry out the work required by the contract documents. All additional instructions and detail drawings shall be issued to the Trade Contractor by the Owner.

F. The additional drawings and instructions thus supplied will become a part of the contract documents. The Trade Contractor shall carry out the work in accordance with the additional detail drawings and instructions.

## Section 2. Materials, Services and Facilities.

A. It is understood that, except as otherwise specifically stated in the contract documents, the Trade Contractor shall provide and pay for all materials, labor, tools, equipment, water, light, power, transportation, supervision, temporary construction of any nature and all other services and facilities of any nature whatsoever necessary to execute, complete and deliver the work within the specified time.

B. In addition to the requirements for major equipment items previously given, within fourteen (14) days after execution of the Contract, the Trade Contractor shall submit to the Owner and Engineer a complete listing of the manufacturers of each item of equipment or assembly fabricated off the site which he proposed to furnish for the project, together with sufficient information, including shop assembly and detail drawings, manufacturers' specifications and performance data, to demonstrate clearly that the materials and equipment to be furnished comply with the provisions and intent of the contract documents. If the information shows any deviation from the Contract requirements, the Trade Contractor shall advise the Engineer and Owner of the deviation and state the reason for it in writing.

C. Only first class materials and materials which conform to the requirements of the specifications shall be incorporated in the work. All materials shall be new unless specified to be otherwise.

D. When requested by the Owner, the Trade Contractor shall furnish a written statement of the origin, composition, and manufacturer of any or all materials (manufactured, produced or grown) that are to be used in the work. The sources of supply of each material used will be approved by the Owner before delivery is started. If, at any time, sources previously approved, fail to produce materials acceptable to the Owner, the Trade Contractor shall furnish materials from other sources.

E. Materials and equipment shall be so stored as to insure the preservation of their quality and fitness for the work. Stored materials and equipment to be incorporated in the work shall be located so as to facilitate prompt inspection.

F. Manufactured articles, materials, and equipment shall be applied, installed, connected, erected, used, cleaned and conditioned as directed by the manufacturer.

G. Materials, supplies, and equipment shall be in accordance with samples submitted by the Trade Contractor and approved by the Engineer or Architect.

H. Materials, supplies or equipment to be incorporated into the work shall not be purchased by the Trade Contractor or the subcontractor subject to a chattel mortgage or under a conditional sale contract or other agreement by which an interest is retained by the seller.

I. The Trade Contractor shall retain, for the benefit of the Owner, all materials and supplies that are purchased for the project but are not used as a part of the project. The Owner may take any of the materials and supplies that are used in the project for any City purpose. Any materials and supplies not taken by the Owner shall be removed from the project site by the Trade Contractor.

### Section 3. Shop Drawings.

A. The Trade Contractor shall submit shop drawings, samples and O&M manuals as may be necessary for the prosecution of the work as required by the contract documents on a timely basis so that the project schedule is not affected. The Engineer will promptly review all shop drawings. All such drawings will be approved and signed by the Engineer, and will be null and void unless authorized by such signature. The Engineer's approval of any shop drawing will not release the Trade Contractor from responsibility for deviations from the contract documents. The approval of any shop drawings which substantially deviates from the requirements of the contract documents shall be evidenced by a change order.

B. All drawings and details on items of major equipment will be reviewed by the Engineer only after the complete set of drawings and details covering the entire equipment package to be furnished under a particular major equipment item are submitted. Drawings submitted on a piecemeal basis covering only parts of the equipment package will be held for checking until the entire set of drawings are received.

C. The Trade Contractor shall also submit to the Engineer shop drawings showing all necessary detail for the proper installation of materials into the completed work, as provided by this Agreement.

D. The Trade Contractor shall make any indicated corrections on the drawings returned and shall resubmit corrected drawings until final approval is obtained.

E. The Trade Contractor shall have no claims for damages or extension of time on account of any delay in the work resulting from the rejection of material or from review, revision and resubmittal of drawings when the review, revision and resubmittal is due to changes to the original design documents, and other data for approval by the Engineer.

F. Each shop drawing shall be dated and shall be identified with the name of the project, the division, if any, the Contract item number, and the name of the Trade Contractor.

G. When submitted for the Engineer's review, shop drawings shall bear the Trade Contractor's certification that he has reviewed, checked and approved the shop drawings and that they are in conformance with the requirements of the contract documents.

H. The Trade Contractor shall submit the shop drawings in accordance with the general requirements.

I. Portions of the work requiring a shop drawing or sample submission shall not begin until the shop drawing or submission has been approved by the Engineer. A copy of each approved sample shall be kept in good order by the Trade Contractor at the site and shall be available to the Engineer.

J. By approving and submitting shop drawings and samples, the Trade Contractor thereby represents that he has determined and verified all field measurements, field construction criteria, materials, catalog numbers and similar data, or will do so, and that he has checked and coordinated each shop drawing and sample with the requirements of the work and of the contract documents.

#### Section 4. Records, Accounts and Audits.

A. The Trade Contractor agrees to keep one complete set of records and books of account on a recognized cost accounting basis (satisfactory to the Engineer), showing all expenditures, of whatever nature, made pursuant to the provisions of this Contract.

B. The Trade Contractor shall furnish the Engineer and Owner with such records, information and data as may be reasonable. The Engineer and Owner shall at all reasonable times be afforded the opportunity to inspect and/or audit the above-specified books and records of said Trade Contractor.

#### Section 5. Inspection and Testing.

A. All materials and equipment used in the construction of the project will be subject to adequate inspection and testing in accordance with generally accepted standards.

B. The Trade Contractor shall give sufficient advance notice of placing orders to permit tests to be completed before materials are incorporated in the work.

C. The Owner will provide all inspection and testing services required by the Contract Documents, unless specifically noted in the contract specifications for special inspection and testing services, such as, by way of example, welding inspections on off-site assembly.

D. Neither observations by the Engineer, and Owner, tests nor approvals by persons other than the Engineer and Owner will relieve the Trade Contractor from his obligations to perform the work in accordance with the requirements of the contract documents.

E. The Engineer, the Owner, and their representatives will at all times have access to the work and to locations where materials or equipment are being manufactured, stored, or prepared for use under these contract documents, and they shall have full facilities for unrestricted inspection of such materials, equipment, and work including full access to purchasing and engineering information, but not including prices, to the extent of uncovering, testing, or removing portions of the finished work. The Engineer and Owner shall be furnished with such information as may be required regarding materials used and the process of manufacture for the various items of equipment. Inspections by the Engineer and Owner of equipment or materials during its manufacture will be performed by or for the Owner solely in an effort to detect discrepancies and defects as early as possible, when they can be most readily corrected, and the work thereby expedited. No acceptance of equipment or materials will be construed to result from such shop inspections by the Engineer and Owner. Any inspections or tests or waivers thereof will not relieve the Trade Contractor of responsibility for meeting all requirements of these contract documents.

F. In addition, authorized representatives and agents of any participating federal or state agency shall be permitted to inspect all work, materials, payrolls, records of personnel, invoices of materials, and other relevant data and records. The Trade Contractor shall provide proper facilities for such access and observation of the work and also for any inspection or testing thereof.

G. In case of disputes between the Trade Contractor and the Engineer as to materials furnished or manner of performing the work, the Owner will have authority to reject materials or suspend the work until the question at issue can be decided by the Owner. The Owner is authorized to revoke, alter, enlarge, relax or release any requirements of these specifications, and to approve or accept any portion of the work, and to issue instructions contrary to the drawings and specifications.

#### Section 6. Construction Review

A. The Engineer will periodically observe the construction of all work covered by this Contract. The Engineer, on behalf of the Owner, shall be authorized to determine the amount or quantities of the several items of work which are to be paid for under this Contract; to order field changes within the scope of the Contract and to render decisions on any questions which may arise relative to the execution of the work covered by this Contract. The Engineer does not have authority to suspend work on the project. The Trade Contractor shall not suspend any portion of the work nor resume suspended work without the written authority of the Owner.

B. Neither Engineer's authority to act under the Contract nor any decision made by Engineer in good faith either to exercise or not exercise such authority shall give rise to any duty or responsibility of the Engineer to the Trade Contractor, any subcontractor, any supplier, or any other person or organization performing any of the Work, or to any surety for any of them.

C. Whenever in the drawings, plans or Contract Documents the terms "as ordered", "as directed", or the adjectives "reasonable", "suitable", "acceptable", "proper" or "satisfactory" or adjectives of like effect or import are used to describe a requirement, direction, review or judgment of Engineer as to the work, it is intended that such requirement, direction, review or judgment will

be solely to evaluate the work for compliance with the contract documents. The use of any such term or adjective shall not be effective to assign to Engineer any duty or authority to supervise or direct the furnishing or performance of the Work or any duty or authority to undertake responsibility for the project. Neither the Owner nor the Engineer will be responsible for the acts or omissions of Contractor or any Subcontractor, any Supplier, or of any other person or organization performing or furnishing any of the Work.

D. Periodic observation of the work in progress by the Engineer will be done whenever the Contractor is performing work that requires review as determined by the Engineer. The normal working time shall be during a regular 5-day, 40-hour work week, Monday through Friday. If the Trade Contractor elects to work more than 40 hours per week and observation is required during this overtime work as determined by the Engineer, the Engineer shall be paid by the Trade Contractor at the rate as specified herein for all review time required over the normal 5-day, 40-hour week. If the Engineer or his authorized representative is called to the job site to address problems created by the Trade Contractor, he will be paid by the Trade Contractor at the same rate as for overtime review as stated above. This payment shall be made by a credit to the Owner, and then the Engineer shall bill the Owner for the same.

E. If any work has been covered which the Engineer has not been specifically requested to observe prior to its being covered, or if the Engineer considers it necessary or advisable that covered work be inspected or tested by others, the Trade Contractor at the Engineer's request shall uncover, expose or otherwise make available for observation, inspection or testing as the Engineer may require, that portion of the work in question, furnishing all necessary labor, materials, tools and equipment. If it is found that such work is defective, the Trade Contractor shall bear all the expenses of such uncovering, exposure, observation, inspection and testing and of satisfactory reconstruction. If, however, such work is not found to be defective, the Trade Contractor will be allowed an increase in the contract price or an extension of the contract time, or both, directly attributable to such uncovering, exposure, observation, inspection, testing and reconstruction and an appropriate change order will be issued.

#### Section 7. Surveys, Permits and Regulations.

A. The Owner will furnish any existing land surveys in the Owner's possession. Provided however, the Trade Contractor shall perform all necessary land surveys to complete the work required by this Agreement. The Trade Contractor shall provide detailed construction staking.

B. At the beginning of the construction or as the work progresses, the Trade Contractor shall be responsible for the installation of property corners and the setting of bench marks.

C. Bench marks and survey stakes shall be preserved by the Trade Contractor and in case of their destruction, or removal by him, his employees, or others, they shall be replaced at the Trade Contractor's expense and his Sureties shall be liable therefor.

D. The Trade Contractor shall be responsible for elevations used in computing his bid.

E. The Trade Contractor shall secure and pay for all necessary permits, fees and licenses in connection with the performance of its work and shall pay all municipal and other governmental fees in connection therewith except those expressly provided by the specifications

as being the responsibility of the Owner, and shall furnish at its expense any and all bonds and cash or other deposits required by law or required by any lawful body having the right to make demand therefor.

F. The Owner will provide rights-of-way and permanent and temporary easements as shown on the plans for construction purposes. Any additional land actually needed by the Trade Contractor for the performance of the work, proper location of his plant and equipment, or the storage of materials and supplies for the work, shall be furnished by the Trade Contractor.

#### Section 8. Protection of Work, Property and Persons.

A. The Trade Contractor shall be responsible for initiating and maintaining all safety precautions and programs in connection with the work. Neither the Owner nor the Engineer will be responsible for Trade Contractor's means, methods, techniques, sequences or procedures of construction, or the safety precautions and programs incident thereto. The Trade Contractor shall take all necessary precautions for the safety of, and shall provide the necessary protection to prevent damage, injury or loss to all employees on the work who may be affected thereby, all the work and all materials or equipment to be incorporated therein, whether in storage on or off the site, and other property at the site or adjacent thereto, including trees, shrubs, lawns, walks, pavements, roadways, structures and utilities not designated for removal, relocation or replacement in the course of construction.

B. The Trade Contractor shall at all times consult with and obtain the approval of the Owner for the storage of material, operation of equipment, placing of temporary structures or dispositions of any surplus or waste materials upon property of the Owner anywhere outside the limits of construction. The Trade Contractor shall comply with all state, federal and local laws related to the storage or placement of any supplies, equipment, structures, or any other materials.

C. The Trade Contractor shall comply with all applicable laws, ordinances, rules, regulations and orders of any public body having jurisdiction. He shall erect and maintain, as required by the conditions and progress of the work, all necessary safeguards for safety and protection. He shall notify owners of adjacent utilities when prosecution of the work may affect them. The Trade Contractor shall remedy at his expense all damage, injury, or loss to any property or person caused, directly or indirectly, in whole or in part, by the Trade Contractor, any subcontractor or anyone directly or indirectly employed by any of them or anyone for whose acts any of them may be liable, except damage or loss attributable to the fault of the contract documents or to the acts or omissions of the Owner or the Engineer or anyone employed by either of them or anyone for whose acts either of them may be liable, and not attributable, directly or indirectly, in whole or in part, to the fault or negligence of the Trade Contractor. Notwithstanding the provisions of C.R.S. § 13-20-802.5(2), for purposes of this Contract, the measure of damages shall never be deemed to be the fair market value of the real property without an alleged construction defect.

D. The Trade Contractor shall observe all rules and regulations of the health department having jurisdiction and shall take precautions to avoid creating unsanitary conditions.

E. In emergencies affecting the safety of persons or the work or property at the site or adjacent thereto, the Trade Contractor, without special instruction or authorization from the Engineer or Owner, shall act to prevent threatened damage, injury or loss.

F. The Trade Contractor shall at all times conduct and work in such a manner as to cause the least inconvenience and greatest protection to the general public. The Trade Contractor shall furnish and maintain barricades, warning signs, red flags, lights, and temporary passageways as may be necessary to protect the work and to safeguard the public. The cost of furnishing and maintaining the above facilities shall be incidental to the contract and no extra compensation for it will be allowed.

G. Throughout the performance of the work or in connection with this Contract, the Trade Contractor shall construct and adequately maintain suitable and safe crossings over trenches and such detours as are necessary to care for public and private traffic. The material excavated from trenches shall be compactly deposited along the sides of the trench or elsewhere in such a manner as shall give as little inconvenience as possible to the traveling public, to adjoining property owners, to other trade contractors, or to the City.

H. In performing the work, the Trade Contractor shall take the necessary action, including making arrangements with the owners or operators of existing power, cable and telephone lines, fiber-optic and telemetry lines, gas, water, sewer and other utilities or installations that may be encountered, whether privately or publicly owned, to prevent interference with the conditions, operations and maintenance of the respective utilities in a manner satisfactory to the owners, or operators of the respective utilities. Relocation or repair of utilities encountered even though not shown on the plans, shall be the responsibility of the Trade Contractor. The cost of the above measures, including maintaining of guards, watchmen, signals, barricades and temporary structures, making any necessary repairs and other cooperative or corrective work shall be borne by the Trade Contractor and shall be included in the prices bid in the Proposal for the related items of work. Neither the Owner nor the Engineer shall be responsible to the Contractor for the existence of utilities not shown on the plans or drawings and the Trade Contractor remains obligated under this paragraph for all hidden utilities.

I. The Trade Contractor shall be responsible for the preservation of all private or public property along and adjacent to the work and shall take all necessary precautions to prevent damage or injury thereto. Such preservation and protection shall include but not be limited to, trees, stone walls, fences, mail boxes, monuments, irrigation ditches, driveways, road access culverts, underground pipelines and structures. Such preservation and protection shall apply to all underground pipelines and utilities whether public, private or individually owned that are in or adjacent to the right-of-way. When direct or indirect damage is done to public or private property on account of the act, omission, neglect or misconduct in the prosecution or non-prosecution of the work on the part of the Trade Contractor, such property shall be restored by the Trade Contractor at the Trade Contractor's expense to a condition similar or equivalent to that which existed before such damage or injury was done, and brought up to current codes if applicable. The Trade Contractor shall be responsible for making all arrangements at his own expense for moving and operating equipment at temporary crossings of telephone and transmission lines, railroad tracks, irrigation ditches and pipelines.

#### Section 9. Communication with the Owner.

The Trade Contractor shall designate a responsible member of its organization at the site, whose duty shall be designated as the contact person for all communication between the Owner and the Trade Contractor. Said designated representative shall also be responsible to attend such meetings, as may be required to insure coordination and adequate performance of the work.



Section 10. Scope of Work.

The scope of work is described in the contract documents which are appended hereto and incorporated herein by this reference.

Section 11. Trade Contractor's Responsibility.

A. The Trade Contractor shall be responsible for all the work under this Contract until completion and final acceptance by the Owner.

B. The Trade Contractor shall supervise and direct the work. He shall be solely responsible for the means, methods, techniques, sequences and procedures of construction.

C. The Trade Contractor shall employ on the work only such persons who are competent and skilled in their assignments. Any employee who obstructs the progress of the work through incompetence or other means or conducts himself improperly shall be discharged or removed from the work when so requested by the Owner. This section shall not create a duty for the Owner to evaluate or assess the competence or skills of the Trade Contractors employees.

D. The Trade Contractor warrants that all materials and equipment furnished and incorporated by him in the project shall be new, unless otherwise specified, and that all work under this Trade Contract shall be of good quality, free from fault and defects and in conformity with the contract documents. All work not conforming to these standards shall be considered defective. The warranty provided herein shall be in addition to and not in limitation of any other warranty or remedy required by law or by the contract documents.

E. The Trade Contractor agrees that if he should fail or neglect to prosecute the work diligently and properly, or fail to perform any provisions of this Trade Contract, that the Owner, after three (3) days written notice to said Trade Contractor may, without prejudice to any other remedy, make good such deficiencies and may deduct the cost thereof from the payments then or thereafter due to the Trade Contractor pursuant to this Contract.

F. Tools furnished with any equipment may be used when approved by the Owner and shall be turned over to the Owner after completion of the work in a condition acceptable to the Owner. In case of rejection by the Owner, the Trade Contractor shall replace the tool or tools at no extra cost to the Owner.

G. Upon completion and before final acceptance of the work, the Trade Contractor shall remove from the site of the work and property of the Owner, all machinery, equipment, surplus materials, rubbish, barricades, signs and temporary structures and shall leave the premises in a condition which is satisfactory to the Owner.

H. The Trade Contractor shall keep one record set of the contract documents annotated to show all changes made during construction.

I. The Trade Contractor shall be responsible for the acts and omissions of all his employees and all subcontractors, their agents and employees and all other persons performing any of the work under a contract with the Trade Contractor.

J. Upon completion of the work, the Trade Contractor shall, at his or its expense,

remove from the vicinity of the work, all plant, buildings, rubbish, unused materials, concrete forms and other like material, belonging to him or used under his direction during construction, and in the event of his failure to do so, the same may be removed by the Owner and the Trade Contractor, his Surety or Sureties, shall be liable for the cost thereof. Also during the construction of the work, the site, partially finished structures, and material stockpiles shall be kept in a reasonable state of order and cleanliness.

## Section 12. Changes in the Work.

A. CHANGES. Changes in the Work may be accomplished after execution of the Contract, and without invalidating the Contract, only by Change Order, Construction Change Directive, or Order for a Minor Change in the Work, subject to the limitations stated in this Article 7 and elsewhere in the Contract Documents.

1. A Change Order shall be based upon agreement among the Owner, Contractor, and Engineer; a Construction Change Directive requires agreement by the Owner and Engineer and may or may not be agreed to by the Contractor; an Order for a Minor Change in the Work may be issued by the Engineer alone.

2. Changes in the Work shall be performed under applicable provisions of the Contract Documents, and the Contractor shall proceed promptly, unless otherwise provided in the Change Order, Construction Change Directive, or Order for a Minor Change in the Work.

3. If unit prices are stated in the Contract Documents or subsequently agreed upon, and if the quantities originally contemplated are so changed in a proposed Change Order or Construction Change Directive that application of such unit prices to the quantities of work proposed will cause substantial inequity to the Owner or the Contractor, the applicable unit prices shall be equitably adjusted; provided however, that Owner may increase the number of units without change in the unit price if reasonable.

B. CHANGE ORDERS. The Contract Sum and the Contract Time may be changed only by Change Order. Methods used in determining adjustments to the Contract Sum may include those listed in Subsection C below. A Change Order is a written order to the Contractor, signed by the Contractor, the Owner and the Engineer, stating their agreement upon all of the following:

1. A change in the Work;
2. The amount of the adjustment in the Contract Sum, if any; and
3. The extent of the adjustment in the Contract Time, if any.

C. CONSTRUCTION CHANGE DIRECTIVES. A Construction Change Directive is a written order directed to the Contractor and signed by the Owner and Engineer, directing a change in the Work and stating a proposed basis for adjustment, if any, in the Contract Sum or Contract Time, or both. The Owner may by Construction Change Directive, without invalidating the Contract, order changes in the Work within the general scope of the Contract consisting of additions, deletions, or other revisions, the Contract Sum and Contract Time being adjusted accordingly.

1. A Construction Change Directive shall be used in the absence of total agreement on the terms of a Change Order.

2. If the Construction Change Directive provides for an adjustment to the Contract Sum, the adjustment shall be based on one of the following methods:

a. By mutual acceptance of a lump sum properly itemized and supported by sufficient substantiating data to permit evaluation;

b. By unit prices stated in the Contract Documents or subsequently agreed upon;

c. By cost to be determined in a manner agreed upon by the parties and a mutually acceptable fixed or percentage fee; or

d. By the method provided in Subparagraph (C)(3)(5).

3. Upon receipt of a Construction Change Directive, the Contractor shall promptly proceed with the change in the work involved and advise the Engineer and Owner of the Contractor's agreement or disagreement with the method, if any, provided in the Construction Change Directive for determining the proposed adjustment in the Contract Sum or Contract Time.

4. A Construction Change Directive signed by the Contractor indicates the agreement of the Contractor therewith, including adjustment in Contract Sum and Contract Time or the method for determining them. Such agreement shall be effective immediately and shall be recorded as a Change Order.

5. If the Contractor does not respond promptly to the Construction Change Directive or disagrees with the method for adjustment in the Contract Sum, the method and the adjustment shall be determined by the Engineer on the basis of reasonable expenditures and savings of those performing the work attributable to the change, including, in case of an increase in the Contract Sum, a percentage fee for overhead and profit not to exceed five percent (5%) of such work's actual cost for Contractor and ten percent (10%) of such work's actual cost to be apportioned between any and all subcontractors and sub-subcontractors. For work performed by Contractor's own forces, Contractor's mark-up shall be limited to actual cost plus a percentage fee for overhead and profit not to exceed ten percent (10%). In such case, the Contractor shall keep and present, in such form as the Engineer may prescribe, an itemized accounting of actual costs together with appropriate supporting data. For the purposes of this Subparagraph, actual costs shall be defined as and limited to the following:

a. Costs of labor, including Social Security, old age and unemployment insurance, fringe benefits required by agreement or custom, and workers' compensation insurance;

b. Costs of materials, supplies, and equipment, including costs of transportation, whether incorporated or consumed;

c. Reasonable rental costs of machinery and equipment, exclusive of hand tools, obtained and used specifically for such work, whether rented from the Contractor or others; and

d. Costs of premiums for all bonds (if any), permit fees, and sales, use or similar taxes directly attributable to such work. Actual cost does not include any item which could be deemed to be a general conditions cost or overhead, such as but not limited to, the cost of Contractor and Subcontractor supervisory personnel assigned to the Work, and field office and related expenses.

6. Pending final determination of actual cost to the Owner, amounts not in dispute may be included in applications for payment. The amount of credit to be allowed by the Contractor to the Owner for a deletion or change which results in a net decrease in the Contract Sum shall be actual net cost as confirmed by the Engineer. When both additions and credits covering related work or substitutions are involved in a change, the allowance for overhead and profit shall be figured on the basis of net increase, if any, with respect to that change.

7. If the Owner and Contractor do not agree with the adjustment in Contract Time or the method for determining it, the adjustment or the method shall be determined in accordance with Article 5 hereof.

8. When the adjustments in the Contract Sum and Contract Time are determined as provided herein, such determination shall be effective immediately and shall be recorded by preparation and execution of an appropriate Change Order.

#### D. MINOR CHANGES IN THE WORK

1. The Engineer will have authority to order minor changes in the Work not involving an adjustment in the Contract Sum or an extension of the Contract Time and not inconsistent with the intent of the Contract Documents. Such changes shall be effected by written order, and shall be binding on the Owner and the Contractor. The Contractor shall carry out such written orders promptly.

2. The Owner may at any time as the need arises, order changes within the scope of work without invalidating the Agreement. If such changes increase or decrease the amount due under the contract documents or in the time required for performance of the work, and equitable adjustment will be authorized by change order.

3. The Owner also may, at any time, by issuing a field order, make changes in the details of the work. The Trade Contractor shall proceed with the performance of any changes in the work so ordered by the Owner unless the Trade Contractor believes that such field order entitles him to a change in contract price or time, or both, in which event he shall give the Owner written notice thereof within ten (10) days after the receipt of the ordered change, and the Trade Contractor shall not execute such changes pending the receipt of an executed change order or further instruction from the Owner.

#### Section 14. Contract Documents.

In case of conflict between this Contract, the general conditions of the contract for construction, and the supplementary conditions, this Contract will govern.

## **ARTICLE 4 – TRADE CONTRACTOR'S CONSTRUCTION SCHEDULE**

### **Section 1. Preconstruction Conference.**

A preconstruction conference shall be scheduled at the time the Notice of Award is issued. The Trade Contractor, at the preconstruction conference, shall prepare and submit for the Owner's and the Engineer's review and approval a Trade Contractor's construction schedule for the Work, in such and form and detail as the Owner may require. The schedule shall not exceed time limits under the Contract Documents, shall be revised as required herein and at appropriate intervals as required by the conditions of the Work and Project, shall be related to the entire project to the extent required by the Contract Documents, and shall provide for the expeditious and practicable execution of the Work. The schedule shall indicate the proposed starting and completion dates for the various subdivisions of the Work as well as the totality of the Work. The schedule shall be updated every fourteen (14) days for submitted to Engineer with Trade Contractor's applications for payment. Each schedule shall contain a comparison of actual progress with the estimated progress for such time stated in the original schedule. If any schedule submitted sets forth a date for Substantial Completion for the Work or any phase of the Work beyond the date(s) of Substantial Completion established in the Contract (as the same may be extended as provided in the Contract Documents), the Trade Contractor shall submit to Engineer and Owner for their review and approval, a narrative description of the means and methods which Trade Contractor intends to employ to expedite the progress of the Work to ensure timely completion of the various phases of the Work as well as the totality of the Work. To ensure such timely completion, Trade Contractor shall take all necessary action including, without limitation, increasing the number of personnel and labor on the Project and implementing overtime and double shifts. In that event, Trade Contractor shall not be entitled to an adjustment in the Contract Sum or the Schedule.

### **Section 2. Schedule of Submittals.**

The Contractor shall prepare and keep current, for the Engineer's approval, a schedule of submittals which is coordinated with the Contractor's construction schedule and allows the Engineer reasonable time to review submittals.

### **Section 3. Conformance to Schedule.**

The Contractor shall conform to the most recent schedules.

## **ARTICLE 5 - TIME FOR COMPLETION AND LIQUIDATED DAMAGES**

A. The date of beginning and the time for completion of the work are essential conditions of the contract documents and the work embraced shall be commenced on a date specified in the notice to proceed.

B. The Trade Contractor shall proceed with the work at such rate of progress to insure full completion within the Contract Time. It is expressly understood and agreed, by and between the Trade Contractor and the Owner, that the contract time for the completion of the work described herein is a reasonable time, If Trade Contractor is delayed in the progress of the Work by fire, unusual delay in transportation, unanticipated adverse weather conditions, or other unavoidable casualties beyond Trade Contractor's control other than unanticipated adverse weather conditions, the Contract Time shall be extended for a reasonable period of time. "Weather" means precipitation, temperature, or wind, and an "adverse weather condition" means

weather that on any calendar day varies from the average weather conditions for that day by more one hundred percent (100%) as measured by the National Oceanic and Atmospheric Administration. The term "unanticipated adverse weather conditions" means the number of days in excess of the anticipated adverse weather days per month as set forth below:

MONTHLY ANTICIPATED ADVERSE WEATHER DAYS

<u>JAN</u>	<u>FEB</u>	<u>MAR</u>	<u>APR</u>	<u>MAY</u>	<u>JUN</u>	<u>JUL</u>	<u>AUG</u>	<u>SEP</u>	<u>OCT</u>	<u>NOV</u>	<u>DEC</u>
7	4	4	4	6	3	4	2	3	3	2	5

*By reason of example only*, if in March there are two (2) days when the snowfall exceeds the average snowfall for that day by one hundred percent (100%), those two (2) days will have experienced an adverse weather condition. However, there will have been no unanticipated adverse weather condition in March, because there are four (4) anticipated adverse weather days in March, which should be accounted for in the schedule. If, however, there are five (5) days in which the snowfall exceeds the average snowfall by one hundred percent (100%), an unanticipated adverse weather condition will have occurred, and Trade Contractor shall be entitled to request an extension of time.

C. If the Trade Contractor shall fail to complete the work within the Contract Time, or extension of time granted by the Owner, then the Trade Contractor shall pay to the Owner the amount of liquidated damages and not as penalty the sum of five hundred dollars (\$500) for each calendar day that the Trade Contractor shall be in default after the time stipulated in the contract documents.

D. The Owner will charge the Trade Contractor, and may deduct from the partial and final payment for the work, all architectural, engineering and construction management expenses incurred by the Owner in connection with any work accomplished after the specified completion date.

E. The Trade Contractor will not be charged with liquidated damages or any excess cost when the delay in completion of the work is due to the following, and the Trade Contractor has promptly given written notice of such delay to the Owner.

1. To any preference, priority or allocation order duly issued by the Owner.
2. To unforeseeable causes beyond the control and without the fault or negligence of the Trade Contractor, including, but not restricted to, unforeseen conditions, acts of God, or of the public enemy, acts of the Owner, fires, floods, epidemics, quarantine restrictions, strikes, freight embargoes, and abnormal and unforeseeable weather; and
3. To any delays of subcontractors occasioned by any of the causes specified in subparagraphs 1 and 2 of this paragraph E.

F. The Trade Contractor waives any right of recovery or reimbursement or by whatever name, as against the Owner or the Engineer, as a result of any delay or increase on overhead cost incurred by the Trade Contractor's association with any action or inaction on the part of any other trade contractor or supplier.

G. Any request for extension of the Contract Time shall be made in writing to the

Project Manager not more than seven (7) days after commencement of the delay; otherwise it shall be waived. Any such request shall contain an estimate of the probable effect of such delay on the progress of the Work.

H. In strict accordance with C.R.S. § 24-91-103.5, the City shall not amend the Contract Price to provide for additional compensation for any delays in performance which are not the result of acts or omissions of the City or persons acting on behalf of the City.

## **ARTICLE 6 - CONTRACT SUM**

### **Section 1. Monthly or Progress Payments.**

A. The City Council of the City of Northglenn has appropriated the money necessary to fund this project. The Owner shall pay the Trade Contractor in current funds for the performance of the work, subject to any additions and deletions, by written change order, the total sum not to exceed two hundred twenty-five thousand nine hundred fifty-nine dollars (\$225,959) (the "Original Contract Amount"). Notwithstanding anything to the contrary contained in this Agreement, no change order or other form of directive by the Owner requiring additional compensable work to be performed, which causes the aggregate amount payable under this Agreement, to exceed the amount appropriated for the Original Contract Amount, unless the Trade Contractor is given written assurance by the City of Northglenn that lawful appropriations have been made by the City Council of the City of Northglenn to cover the cost of the additional work.

B. The Engineer has, by separate agreement with the Owner, agreed to include in its monthly work estimate to the Owner, a review of the Trade Contractor's estimates of the value of all work, labor, and materials of the Trade Contractor incorporated into the Project. The Trade Contractor hereby agrees that estimates provided to the Engineer for review for the Owner shall be for work actually performed upon the project and that all such work, including labor and materials, have been paid. The determination of the amount of work completed on each application for payment by the Trade Contractor shall be made by the Engineer and shall thereafter be subject to approval by the Owner. Such determination, however, by the Engineer or approval by the Owner shall not be construed as acceptance of the work.

1. Before the first application for payment, the Trade Contractor shall submit to the Engineer and Owner a schedule of values to be allocated to the various portions of the Work, which in the aggregate equals the total Contract Sum, divided so as to facilitate payments to subcontractors, supported by such evidence of correctness as the Engineer may direct. This schedule, when approved by the Engineer, shall be used to monitor the progress of the Work and as a basis for making progress payments hereunder. Application for monthly progress payments shall be made in writing in accordance with this Contract and shall be submitted on approved forms provided by the Owner and shall be submitted to the Owner on or before the twentieth (20th) day of each month. Applications received on time will be paid on the twentieth (20th) day of the following month, providing that the Owner approves such recommendations of the Engineer. Applications received after the twentieth (20th) day of each month shall be paid after the Owner's next pay period.

2. Pursuant to Colo. Rev. Stat. § 24-91-103, as may be amended, where the Original Contract Amount exceeds one hundred fifty thousand dollars (\$150,000.00), the Owner may retain up to five percent (5%) of the calculated value of completed work from

each progress payment up until the contract is completed satisfactorily and finally accepted by the Owner. If the Owner finds satisfactory progress is being made in any phase of the contract, the Trade Contractor may make written request of the Owner for final payment of the withheld percentage. The Owner may agree to final payment of the withheld percentage if the Owner finds satisfactory and substantial reasons exist for the payment. The Trade Contractor must provide written approval to the Owner from any surety furnishing bonds for the contract work in order to receive said payment of the withheld percentage.

3. Upon receipt of written notice from the Trade Contractor that his work is ready for final inspection and acceptance by the Owner and upon receipt of final application for payment, the Owner will promptly make such final field review subject to the final payment requirements contained in Colo. Rev. Stat. § 38-26-107, as amended. If the Owner finds that the work is acceptable under the contract documents, he will recommend to the Owner that a final certificate of payment be issued. Neither final payment nor the remaining retention shall become due until the Trade Contractor submits to the Engineer an affidavit that all payrolls, bills for materials and equipment, and other indebtedness connected with the work, have been paid or otherwise satisfied. Likewise, final payment shall not be made until the consent of the surety to final payment has been obtained, and if required by the Owner, such other data establishing payment or satisfaction of all obligations, including releases, final lien waivers, and receipts and warranties, if any, have been provided to the Engineer for the use and benefit of the Owner. Should any subcontractor of the Trade Contractor or supplier of said Trade Contractor refuse to furnish any warranty and/or release or waiver, the Owner in its sole discretion, may refuse to certify final payment. The Trade Contractor may then furnish sufficient bonds satisfactory to the Owner to indemnify the Owner against any such liens.

4. Notwithstanding anything else to the contrary contained herein, such final payment by the Owner shall not be construed as a waiver of any claims affecting or arising from:

- a. Unsettled liens;
- b. Faulty or defective work appearing after substantial completion;
- c. Failure of the work to comply with the requirements of the contract documents;
- d. Terms of any special warranties required by the contract documents.

5. The acceptance by the Trade Contractor of final payment shall be and shall operate as a release to the Owner from all claims and all liability to the Trade Contractor for all things done or furnished in connection with this work and for every act and neglect of the Owner and others relating to or arising out of the work other than claims in stated amounts as may be specifically expected by the Trade Contractor with the consent of the Owner. Any payment, however, final or otherwise, will not release the Trade Contractor or his sureties from any obligations under the contract documents or the performance bond and labor and material payment bond.



## **ARTICLE 7 - CORRECTION OF WORK**

A. During the life of the Contract and for a period of two (2) years after final acceptance, the Trade Contractor shall promptly remove from the premises all work rejected by the Owner for failure to comply with the contract documents, whether incorporated in the construction or not, and the Trade Contractor shall promptly replace and re-execute the work in accordance with the contract documents and without expense to the Owner and shall bear the expense of making good all work of other trade contractors destroyed or damaged by such removal or replacement. The Owner, however, may at its discretion elect to accept an equitable reduction in price or a refund instead of correction of the condemned work.

B. All removal and replacement work shall be done at the Trade Contractor's expense. If the Trade Contractor does not take action to remove such rejected work within ten (10) days after receipt of written notice, the Owner may remove such work and store the materials all at the expense of the Trade Contractor.

## **ARTICLE 8 - TEMPORARY FACILITIES AND SERVICES**

Unless otherwise provided in this Contract, the Trade Contractor shall furnish and make available, at no cost, all temporary facilities, including all power needed for heating and protection of facilities and work. It is the expressed intent of the parties that the Trade Contractor shall be responsible for and at its sole cost all heating and protection of facilities and work.

## **ARTICLE 9 - INDEMNIFICATION AND INSURANCE**

### **Section 1. Indemnification.**

The Contractor, to the fullest extent permitted by law, shall defend, indemnify and hold harmless the City, its officers, employees, agents and their insurers, from and against all liability, claims and demands on account of injury, loss or damage, including without limitation, claims arising from bodily injury, personal injury, sickness, disease, death, property loss or damage or any other loss of any kind whatsoever, which arises out of or is in any manner connected with this Contract, to the extent that such injury, loss or damage is attributable to the act, omission, error, professional error, mistake, negligence or other fault of the Contractor, the Contractor's employees, subcontractors or anyone else employed directly or indirectly by the Contractor, Contractor's employees or subcontractor.

The Contractor, to the fullest extent permitted by law, shall defend, investigate, handle, respond and provide defense for and defend against any such liability, claims or demands at the sole expense of the Contractor, or at the option of the City, Contractor agrees to pay the City or reimburse the City for defense costs incurred by the City in connection with any such liability, claims, or demands. The Contractor, to the fullest extent permitted by law, shall defend and bear all other costs and expenses related thereto, including court costs and attorney fees, whether or not such liability, claims or demands alleged are groundless, false or fraudulent.

This indemnification provision is intended to comply with C.R.S. § 13-21-111.5(6), as amended, and shall be read as broadly as permitted to satisfy that intent.

Section 2. Insurance.

A. The Contractor agrees to obtain and maintain during the life of this Contract, a policy or policies of insurance against all liability, claims, demands and other obligations assumed by the Contractor pursuant to Section 1 above. Such insurance shall be in addition to any other insurance requirements imposed by this Contract or by law. The Contractor shall not be relieved of any liability, claims, demands, or other obligations assumed pursuant to Section 1 above, by reason of its failure to obtain and maintain during the life of this Contract insurance in sufficient amounts, durations, or types.

B. Contractor shall obtain and maintain during the life of this Contract, and shall cause any subcontractor to obtain and maintain during the life of this Contract, the minimum insurance coverages listed below. Such coverages shall be obtained and maintained with forms and insurers acceptable to the City. All coverages shall be continuously maintained to cover all liability, claims, demands and other obligations assumed by the Contractor pursuant to Section 1 above. In the case of any claims-made policy, the necessary retroactive dates and extended reporting periods shall be procured to maintain such continuous coverage.

1. Worker's Compensation Insurance to cover obligations imposed by applicable law for any employee engaged in the performance of the work under this Contract, and Employers Liability Insurance with minimum limits of five hundred thousand dollars (\$500,000) each incident, five hundred thousand dollars (\$500,000) disease—policy limit, and five hundred thousand dollars (\$500,000) disease—each employee.

2. General Public Liability Insurance to be written with a limit of liability of not less than one million dollars (\$1,000,000) for all damages arising out of bodily injury, personal injury (including coverage for employee and contractual acts), including death, at any time resulting therefrom, sustained by any one person and not less than two million dollars (\$2,000,000) for all damages arising out of bodily injury, including death, at any time resulting therefrom, sustained by two or more persons in any one accident. This policy shall also include coverage for blanket contractual and independent contractor risks. The limits of General Public Liability Insurance for broad form property damage (including products and completed operations) shall be not less than one million dollars (\$1,000,000) for all damages arising out of injury to or destruction of property in any one (1) accident and not less than two million dollars (\$2,000,000) for all damages arising out of injury to, or destruction of property, including the City's property, during the policy period. The General Public Liability Insurance policy shall include coverage for explosion, collapse and underground hazards. The policy shall contain a severability of interests provision.

3. Protective Liability and Property Damage insurance covering the liability of the Owner, including any employee, officer or agent of the Owner with respect to all operations under the Contract by the Trade Contractor or his sub-contractors shall be obtained and maintained during the life of the contract. The limits of the Owner's Protective Liability Policy, to be provided by the Trade Contractor, as described in this Section 2, shall be increased to the same limits as described above for the Trade Contractor's General Public Liability Insurance.

4. Comprehensive Automobile Liability Insurance with minimum combined single limits for bodily injury and property damage of not less than one million dollars

(\$1,000,000) each occurrence and one million dollars (\$1,000,000) aggregate with respect to each of the Trade Contractor's owned, hired, and non-owned vehicles assigned to or used in performance of the services. The policy shall contain a severability of interests provision. If the Trade Contractor has no owned automobiles, the requirements of this paragraph shall be met by each employee of the Trade Contractor providing services to the Owner under this contract.

C. To the extent that liability results from the acts or omissions of the Trade Contractor, all Insurance Policies and Certificates of Insurance issued for this project shall name as additional insured(s), the Owner, whether private or governmental, the Owner's officers and employees, and the Engineer and its agents and employees, and any other person(s), company(ies), or entity(ies) deemed necessary by the Owner. The Trade Contractor shall be solely responsible for any deductible losses under any policy required herein.

D. The insurance provided by the Trade Contractor shall be primary to insurance carried by the Owner, the Engineer, and all other additional insureds, and the principal defense of any claims resulting from the Trade Contractor's obligations under the Contract shall rest with the Trade Contractor's Insurer.

### Section 3. Certificates of Insurance.

A. The certificate of insurance provided by the Trade Contractor shall be completed by the Trade Contractor's insurance agent as evidence that policies providing the required coverages, conditions, and minimum limits are in full force and effect, and shall be reviewed and approved by the Owner prior to commencement of the contract. No other form of certificate shall be used. The certificate shall identify this Contract and shall provide that the coverages afforded under the policies shall not be cancelled, terminated or materially changed until at least thirty (30) days prior written notice has been given to the Owner. The completed certificate of insurance shall be sent to:

Director of Public Works  
City of Northglenn  
11701 Community Center Drive  
Northglenn, Colorado 80233-8061

B. Failure on the part of the Trade Contractor to procure or maintain policies providing the required coverages, conditions, and minimum limits shall constitute a material breach of contract upon which the Owner may immediately terminate this contract, or at its discretion the Owner may procure or renew any such policy or any extended reporting period thereto and may pay any and all premiums in connection therewith, and all monies so paid by the Owner shall be repaid by the Trade Contractor to the Owner upon demand, or the Owner may offset the cost of the premiums against any monies due to the Trade Contractor from the Owner.

C. The Owner reserves the right to request and receive a certified copy of any policy and any endorsement thereto.

D. The parties hereto understand and agree that the Owner is relying on, and does not waive or intend to waive by any provision of this contract, the monetary limitations (presently three hundred fifty thousand dollars (\$350,000) per person and nine hundred ninety thousand dollars (\$990,000) per occurrence) or any other rights, immunities, and protections provided by the Colorado Governmental Immunity Act, 24-10-114 et seq., C.R.S., as from time to time amended, or otherwise available to the Owner, its officers or employees.

## **ARTICLE 10 - PERFORMANCE, LABOR AND MATERIAL PAYMENT BONDS**

The Trade Contractor shall within ten (10) days after the receipt of a notice of award, furnish the Owner with a performance bond and a payment bond in penal sums equal to the amount of the contract price, conditioned upon the performance by the Trade Contractor of all undertakings, covenants, terms, conditions and agreements of the contract documents, and upon the prompt payment by the Trade Contractor to all persons supplying labor and materials in the prosecution of the work provided by the contract documents. Such bonds shall be executed by the Trade Contractor and a corporate bonding company licensed to transact such business in the state in which the work is to be performed and named on the current list of "Surety Companies Acceptable on Federal Bonds" as published in the Treasury Department Circular Number 570. The expense of these bonds shall be borne by the Trade Contractor. If at any time a surety on any such bond is declared a bankrupt or loses its right to do business in the state in which the work is to be performed or is removed from the list of Surety Companies accepted on Federal Bonds, the Trade Contractor shall within ten (10) days after notice from the Owner to do so, substitute an acceptable bond (or bonds) in such form and sum and signed by such other surety or sureties as may be satisfactory to the Owner. The premiums on such bond shall be paid by the Trade Contractor. No further payments will be deemed due nor shall be made until the new surety or sureties shall have furnished an acceptable bond to the Owner.

## **ARTICLE 11 – CLAIMS AND DISPUTES**

A. Definition. A claim is a demand or assertion by one of the parties seeking, as a matter of right, adjustment of contract terms, payment of money, extension of time, or other relief with respect to the terms of the Contract. The term "claim" also includes other disputes between the Owner and Contractor arising out of or relating to the Contract. Claims must be made by written notice. The responsibility to substantiate claims shall rest with the party making the claim.

B. Decision of Engineer or Architect. Claims may, upon request of both the Contractor and the Owner, be referred initially to the Engineer or Architect for action as provided in Article 3, Section 12.

C. Time limits on Claims. Claims by either party must be made within twenty one (21) days after occurrence of the event giving rise to such claim or within twenty one (21) days after the claimant first recognizes, or reasonably should have recognized, the condition giving rise to the claim, whichever is later. An additional claim made after the initial claim has been implemented by change order will not be considered unless submitted in a timely manner.

D. Continuing Contract Performance. Pending final resolution of a claim, including litigation, unless otherwise directed by Owner in writing, the Contractor shall proceed diligently with performance of the Contract and the Owner shall continue to make payments in accordance with the Contract Documents.

E. Waiver of Claims: Final Payment. The making of Final Payment shall constitute a waiver of claims by the Owner except those arising from:

1. Liens, claims, security interests, or encumbrances arising out of the Contract and unsettled;
2. Failure of the Work to comply with the requirements of the Contract Documents;

3. Terms of special warranties required by the Contract Documents; or
4. Faulty or defective work appearing after Substantial Completion.

F. Claims for Concealed or Unknown Conditions. If conditions are encountered at the site which are (1) subsurface or otherwise concealed physical conditions which differ materially from those indicated in the Contract Documents or (2) unknown physical conditions of an unusual nature, which differ materially from those ordinarily found to exist and generally recognized as inherent in construction activities of the character provided for in the Contract Documents, then notice by the observing party shall be given to the other party promptly before conditions are disturbed and in no event later than seven (7) days after first observance of the conditions. Site conditions which an experienced and prudent contractor could have anticipated by visiting the site, familiarizing himself with the local conditions under which the Work is to be performed and correlating his observations with the requirements of the Contract Documents shall not be considered as claims for concealed or unknown conditions, nor shall the locations of utilities which differ from locations provided by the utility companies. The Engineer or Architect will promptly investigate such conditions and, if they differ materially and cause an increase or decrease in the Contractor's cost of, or the required time for, performance of any part of the Work, will recommend an equitable adjustment in the Contract Sum or Contract Time, or both. If the Engineer or Architect determines that the conditions at the site are not materially different from those indicated in the Contract Documents and that no change in the terms of the Contract is justified, the Engineer or Architect shall so notify the Owner and Contractor in writing, stating the reasons. Claims by either party in opposition to such determination must be made within twenty-one (21) days after the Engineer or Architect has given notice of the decision. If the Owner and Contractor cannot agree on an adjustment in the Contract Sum or Contract Time, the adjustment shall be referred to the Engineer or Architect for initial determination, subject to further proceeding pursuant to these Contract Documents.

G. Claims for Additional Cost. If the Contractor wishes to make claim for an increase in the Contract Sum, written notice as provided herein shall be given before proceeding to execute the work. Said notice shall itemize all claims and shall contain sufficient detail and substantiating data to permit evaluation of same by Owner and Engineer or Architect. No such claim shall be valid unless so made. Prior notice is not required for claims relating to an emergency endangering life or property. If the Contractor believes additional cost is involved for reasons including but not limited to (1) a written interpretation from the Engineer or Architect, (2) an order by the Owner to stop the Work where the Contractor was not at fault, (3) a written order for a minor change in the Work issued by the Engineer or Architect, (4) failure of payment by the Owner, (5) termination of the Contract by the Owner, (6) Owner's suspension, or (7) other reasonable grounds, claim shall be filed in accordance with the procedure established herein. Any change in the Contract Sum resulting from such claim shall be authorized by change order or construction change directive.

H. Claims for additional time. If the Contractor wishes to make claim for an increase in the Contract Time, written notice as provided herein shall be given. The Contractor's claim shall include an estimate of cost and of probable effect of delay on progress of the Work. In the case of a continuing delay, only one claim is necessary.

I. Injury or damage to person or property. Subject to the Parties' obligations and responsibilities under the Contract Documents in general and Article 8 hereof in particular, if either party to the Contract suffers injury or damage to person or property because of an act or omission of the other party, of any of the other party's employees or agents, or of others for whose acts such party is legally liable, written notice of such injury or damage, whether or not insured, shall

be given to the other party within a reasonable time not exceeding ten (10) days after first observance. The notice shall provide sufficient detail to enable the other party to investigate the matter. If a claim for additional cost or time related to this claim is to be asserted, it shall be filed as provided in Article 3, Section 12.

## **ARTICLE 12 - RESOLUTION OF CLAIMS AND DISPUTES**

A. The Engineer (if the matter is referred to the Engineer for initial decision) will review claims and take one or more of the following preliminary actions within ten (10) days of receipt of a claim: (1) request additional supporting data from the claimant; (2) submit a schedule to the parties indicating when the Engineer expects to take action; (3) reject the claim in whole or in part, stating the reasons for rejection; (4) recommend approval of the claim by the other party; or (5) suggest a compromise. The Engineer may also, but is not obligated to, notify the surety, if any, of the nature and amount of the claim.

B. If a claim has been resolved, the Engineer (or at the Owner's option, Owner), will prepare or obtain appropriate documentation.

C. If a claim has not been resolved, the party making the claim shall within ten (10) days after the Engineer's preliminary response, take one or more of the following actions: (1) submit additional supporting data requested by the Engineer; (2) modify the initial claim; or (3) notify the Engineer that the initial claim stands.

D. If a claim has not been resolved after consideration of the foregoing and of further evidence presented by the parties or requested by the Engineer, the Engineer will notify the parties in writing that the Engineer's decision will be made within seven (7) days, which decision will be considered advisory only and not binding on the parties in the event of litigation in respect of the claim. Upon expiration of such time period, the Engineer will render to the parties the Engineer's written decision relative to the claim, including any change in the Contract Sum or Contract Time or both. If there is a surety and there appears to be a possibility of a Trade Contractor's default, the Engineer may, but is not obligated to, notify the surety and request the surety's assistance in resolving the controversy.

E. The dispute clause does not preclude the considerations of questions of fact or law in connection with decisions provided for in Paragraph A above. Nothing in this Agreement, however, shall be construed as making final a decision of an administrative official, representative or City Council on a question of fact or law.

F. As between the parties of this Agreement, as to all acts or failure to act by either party of this Agreement, any applicable statute of limitation shall commence to run from the date of the agreed party's discovery of such act or failure to act.

G. The Trade Contractor shall give written notice to the Owner within ten (10) days of any dispute/claim arising under this Contract upon which the Trade Contractor seeks compensation or change of contract documents, otherwise the Trade Contractor's dispute/claim shall be deemed waived. Said ten (10) days written notice shall not be deemed to run from the date of discovery in this instance but from the date the dispute/claim has arisen.

## ARTICLE 13- TERMINATION

A. This Agreement may be terminated in whole or in part in writing by either party in the event of substantial failure by the other party to fulfill its obligations under this Agreement through no fault of the terminating party; provided that no such termination may be effected unless the other party is given (1) not less than ten (10) days written notice (delivered by certified mail, return receipt requested) of intent to terminate; and (2) an opportunity for consultation with the terminating party prior to termination.

B. This Agreement may be suspended or terminated in whole or in part, in writing, by the Owner for its convenience; provided that no such termination may be effected unless the Trade Contractor is given (1) not less than ten (10) days written notice (delivered by certified mail, return receipt requested) of intent to suspend or terminate; and (2) an opportunity for consultation with the Owner prior to suspension or termination.

C. Suspension for Convenience: The Owner, for its own convenience, may suspend the contract in whole or in part at any time by written notice to the Trade Contractor. Such notice shall state the extent and the effective date of such suspension, and on the effective date thereof the Trade Contractor shall promptly suspend such work to the extent specified, and during the period of such suspension shall properly care for and protect all work and materials, housing and equipment on hand for construction under the contract. The Trade Contractor also shall promptly supply the Owner with copies of all outstanding orders for materials, equipment and services, and shall take such action relative to such orders as may be directed by the Owner. If the performance of the work is thus suspended, the Trade Contractor shall be entitled to be reimbursed for all additional expense incurred by reason of such suspension as agreed upon by the Trade Contractor and the Owner.

D. Termination for Convenience:

1. The Owner may for its own convenience terminate work under the contract in whole or in part at any time by written notice to the Trade Contractor. Such notice shall state the extent and effective date of such termination and on the effective date thereof, the Trade Contractor will, and as to the extent directed, stop work under the contract and the placement of further orders of subcontracts under the contract, terminate work under order and subcontracts under the contract, and take any necessary action to protect property in the Trade Contractor's possession in which the Owner has or may acquire an interest.

2. In the event of such termination, the Owner shall pay to the Trade Contractor: (1) its direct costs (excluding overhead) for all work done in conformity with the Contract to the effective date of such termination and (2) other costs pertaining to the work which the Trade Contractor may incur as a result of such termination, all as approved by the Owner plus ten percent (10%) of such costs (excluding costs under (2) above) for overhead and profit, provided, however, that in no event shall the total amount to be paid under this Article 11, Section D.(2) plus payments previously made, exceed the lesser of (a) the total aggregate contract price specified in the Trade Contract; or (b) that proportion of the aggregate total contract price specified in the date of termination bears to the entire work to be performed hereunder. Any payment under this Article 11, Section D.(2) shall be made upon the expiration of the period within which liens may be filed under the laws of the state of Colorado, subject, however, to withholding by the Owner for the reasons and in the manner provided in those provisions pertaining to withholding of payments for liens.

E. Termination for Default:

1. The Owner shall have the right to terminate the employment of the Trade Contractor after giving ten (10) days written notice of the termination to the Trade Contractor in the event of any default by the Trade Contractor. In the event of such termination, the Owner may take possession of the work and of all materials, tools and equipment thereon and may finish the work by whatever method and means he may select. It shall be considered a default by the Trade Contractor whenever he shall:

a. Disregard or violate important provisions of the contract documents or the Owner's instructions, or fail to prosecute the work according to the agreement schedule of completion, including extensions thereof;

b. Fail to provide a qualified representative, competent workmen or subcontractors, or proper materials, or fail to make prompt payment therefor; and

c. Fail to submit a completion schedule within fourteen (14) days after award of contract.

2. Upon termination of the contract by the Owner for default by the Trade Contractor, no further payments shall be due to the Trade Contractor until the work is completed. If the unpaid balance of the contract amount shall exceed the cost of completing the work including all overhead costs, the excess shall be paid to the Trade Contractor. If the cost of completing the work shall exceed the unpaid balance, the Trade Contractor shall pay the difference to the Owner. The amount of the cost incurred by the Owner in implementing the work, and the damage incurred through the Trade Contractor's default, shall be approved by the Owner.

3. The provisions of this Article 11, Section D.(2) shall not apply in the event of default of the Trade Contractor; provided, however, that the provisions of Article 11, Section D.(2) shall apply in the event of substantial failure by the Owner to fulfill its obligations under this Agreement.

**ARTICLE 14 - SIMULTANEOUS WORK BY OTHERS**

A. The Owner reserves the right to let other contracts in connection with this project. The Trade Contractor shall afford other trade contractors reasonable opportunity for the introduction and storage of their materials and the execution of their work, and shall properly connect and coordinate his work with theirs.

B. If the proper execution or results of any part of the Trade Contractor's work depends upon the work of any other trade contractor, the Trade Contractor shall inspect and promptly report to the Engineer any defects in such work that render it unsuitable for such proper execution and results. Failure of the Trade Contractor to so inspect and report defects shall constitute an acceptance of the other trade contractors' work as fit and proper for the addition of his work thereto, except as to defects which may develop in the other trade contractors' work after the execution of his work.

C. The Trade Contractor shall coordinate his operations with those of other trade contractors. Cooperation will be required in the arrangement for the storage of materials and in the detailed execution of the work.



D. The Trade Contractor, including his subcontractors, shall keep informed of the progress and the detail work of other trade contractors and shall notify the Engineer immediately of lack of progress, defective workmanship, or lack of coordination on the part of other trade contractors. Failure of the Trade Contractor to keep informed of the work progressing on the site and failure to give notice of lack of progress, defective workmanship, or lack of coordination by others shall be construed as acceptance by him of the work and the status of work as being satisfactory for proper execution of his own work.

E. All materials and labor shall be furnished at such times as shall be for the best interest of all trade contractors concerned, to the end that the combined work of all may be properly and fully completed on contract time.

F. Nothing herein shall be construed in any way as giving the Trade Contractor a claim as against the Owner and the Engineer resulting in any revised schedule based upon delay caused by any other trade contractor or supplier.

#### **ARTICLE 15 - SUBCONTRACTING**

A. The Trade Contractor may utilize the services of specialty subcontractors on those parts of the work which, under normal contracting practices, are performed by specialty subcontractors.

B. Before execution of the contract, the Trade Contractor shall submit the names of all subcontractors, including contact persons, phone numbers, and addresses to the Engineer or Architect and Owner. The Trade Contractor shall also promptly notify all parties of any changes in subcontractors or subcontractor contact information.

C. The Trade Contractor shall be fully responsible to the Owner for the acts and omissions of his subcontractors, and of persons either directly or indirectly employed by them, as he is for the acts and omissions of persons directly employed by him.

D. The Trade Contractor shall cause appropriate provisions to be inserted in all subcontracts relative to the work to bind subcontractors to the Trade Contractor by the terms of the contract documents insofar as applicable to the work of subcontractors and to give the Trade Contractor the same power as regards terminating any subcontract that the Owner may exercise over the Trade Contractor under any provision of the contract documents.

E. Nothing contained in this Contract will create any contractual relation between any subcontractor and the Owner.

## **ARTICLE 16 - GUARANTY**

A. The Trade Contractor shall guarantee all materials and equipment furnished and work performed for a period of two (2) years from the date of final acceptance of the contract by the Owner that the work is free from all defects due to faulty materials or workmanship and that the Trade Contractor shall promptly make such corrections as may be necessary by reason of such defects including the repairs of any damage to other parts of the system resulting from such defects. The Owner will give notice of observed defects with reasonable promptness. In the event that the Trade Contractor should fail to make such repairs, adjustments, or other work that may be made necessary by such defects, the Owner may do so and charge the Trade Contractor the cost thereby incurred. The performance bond shall remain in full force and effect through the guarantee period.

B. Whenever in the specifications a guarantee or maintenance bond is required to be furnished for any item of equipment, material or portion of the work, such guarantee shall be submitted to the Owner and a written approval will be issued to the Trade Contractor before any such equipment, material or construction is ordered and incorporated in work by the Trade Contractor.

## **ARTICLE 17 - SALES TAX**

The Trade Contractor and all of his subcontractors must make application to the Colorado State Department of Revenue for a certificate of exemption to permit the purchase of building materials for the construction of this project without payment of the sales tax. Prior to the start of construction, the Trade Contractor shall furnish copies of such certificates to the Owner. Applications and certificates must be on forms provided by the Department of Revenue.

## **ARTICLE 18 - MISCELLANEOUS PROVISIONS**

A. This Agreement is made and entered into subject and conformable to the laws of the State of Colorado and the Home Rule Charter of the City of Northglenn. To the extent any provision hereof is inconsistent with said laws and Charter, said laws and Charter shall control.

B. The Trade Contractor shall comply with all federal and state laws and local ordinances and regulations which affect those engaged or employed in the work or which affect the conduct of the work, and of all such orders and decrees of bodies or tribunals having any jurisdiction or authority over the same, and shall at all times observe and comply with all such existing laws, ordinances, regulations and decrees, and shall protect and indemnify the Owner and the Engineer against any claim or liabilities arising solely from or based solely on the violations of such law, ordinance, regulation, order or decree, whether by itself, its subconsultants, agents, or employees.

C. The Trade Contractor will take affirmative action to not discriminate against any employee or applicant for employment because of race, creed, color, national origin, sex or handicap, if otherwise qualified.

D. In the event any provision of this Agreement is held invalid and unenforceable, the remaining provisions shall be valid and binding upon the parties.

E. One or more waivers by either party of any provision, term, condition or covenant

shall not be construed by the other party as a waiver of a subsequent breach of the same by the other party.

F. The Owner and the Trade Contractor each binds itself and its partners, successors, executors, administrators, and assigns to this Agreement. Neither the Owner nor the Trade Contractor will assign, sublet, or transfer its interest in this Agreement without the written consent of the other.

G. Nothing herein shall be construed as creating any personal liability on the part of any officer or agent of any public body which may be a party hereto, nor shall it be construed as giving any rights or benefits hereunder to anyone other than the Owner and the Trade Contractor.

H. Illegal Aliens.

1. Certification. By entering into this Agreement, Contractor hereby certifies that, at the time of this certification, it does not knowingly employ or contract with an illegal alien who will perform work under the Agreement and that Contractor will participate in either the E-Verify Program administered by the United States Department of Homeland Security and Social Security Administration or the Department Program administered by the Colorado Department of Labor and Employment in order to confirm the employment eligibility of all employees who are newly hired for employment to perform work under the Agreement.

2. Prohibited Acts. Contractor shall not:

a. Knowingly employ or contract with an illegal alien to perform work under this Agreement; or

b. Enter into a contract with a subcontractor that fails to certify to Contractor that the subcontractor shall not knowingly employ or contract with an illegal alien to perform work under this Agreement.

3. Verification.

a. Contractor has confirmed the employment eligibility of all employees who are newly hired for employment to perform work under this Agreement through participation in either the E-Verify Program or the Department Program.

b. Contractor shall not use the E-Verify Program or the Department Program procedures to undertake pre-employment screening of job applicants while this Agreement is being performed.

c. If Contractor obtains actual knowledge that a subcontractor performing work under this Agreement knowingly employs or contracts with an illegal alien who is performing work under the Agreement, Contractor shall:

i. Notify the subcontractor and the City within three (3) days that Contractor has actual knowledge that the subcontractor is employing or contracting with an illegal alien who is performing work under the Agreement; and

ii. Terminate the subcontract with the subcontractor if within three (3) days of receiving the notice required pursuant to subparagraph (a) hereof, the subcontractor does not stop employing or contracting with the illegal alien who is performing work under the Agreement; except that Contractor shall not terminate the contract with the subcontractor if during such three (3) days the subcontractor provides information to establish that the subcontractor has not knowingly employed or contracted with an illegal alien who is performing work under the Agreement.

4. Duty to Comply with Investigations. Contractor shall comply with any reasonable request by the Colorado Department of Labor and Employment made in the course of an investigation conducted pursuant to C.R.S. § 8-17.5-102(5)(a) to ensure that Contractor is complying with the terms of this Agreement.

5. If Contractor does not currently employ any employees, Contractor shall sign the No Employee Affidavit attached hereto.

6. If Contractor wishes to verify the lawful presence of newly hired employees who perform work under the Agreement via the Department Program, Contractor shall sign the Department Program Affidavit attached hereto.

I. Keep Jobs in Colorado Act: Pursuant to the Keep Jobs in Colorado Act, C.R.S. 8-17-101 *et seq.* (the "Act") and the rules adopted by the Division of Labor of the Colorado Department of Labor and Employment implementing the Act (the "Rules"), the Contractor shall employ Colorado labor to perform at least eighty percent (80%) of the work and shall obtain and maintain the records required by the Act and the Rules. For purposes of this Section "Colorado labor" means any person who is a resident of the state of Colorado at the time of this Project, without discrimination as to race, color, creed, sex, sexual orientation, marital status, national origin, ancestry, age, or religion except when sex or age is a bona fide qualification. A resident of the state is a person who can provide a valid Colorado driver's license, a valid Colorado state-issued photo identification, or documentation that he or she has resided in Colorado for the last thirty (30) days. Contractor represents that it is familiar with the requirements of the Act and the Rules and will fully comply with same. This Section shall not apply to any project for which appropriation or expenditure of moneys may be reasonably expected not to exceed five hundred thousand dollars (\$500,000) in the aggregate for any fiscal year.

#### **ARTICLE 19 - ATTACHMENTS, SCHEDULES AND SIGNATURES**

It is further mutually agreed that this Agreement and the contract documents constitute the entire Agreement between the Owner and the Trade Contractor and supersede all prior or oral understandings. This Agreement may only be amended, supplemented, modified, or cancelled by a duly executed written amendment.

IN WITNESS WHEREOF the parties hereto each herewith subscribe the same in triplicate.

**CITY OF NORTHGLENN, COLORADO**

By: \_\_\_\_\_

Name: Meredith Leighty

Title: Mayor

ATTEST:

\_\_\_\_\_  
Johanna Small, CMC, City Clerk

APPROVED AS TO FORM:

\_\_\_\_\_  
Corey Y. Hoffmann, City Attorney

**TRADE CONTRACTOR**

By: Colorado Civil Infrastructure

Name: [Signature]

Title: President

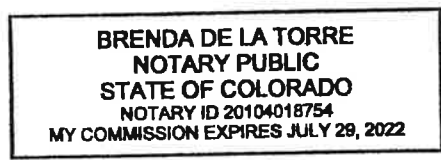
STATE OF COLORADO     )  
  ) ss.  
COUNTY OF Arapahoe     )

The foregoing instrument was acknowledged before me this 9<sup>th</sup> day of June, 2021 by Ramon Diaz, as President of Colorado Civil Infrastructure Inc.

My commission expires: 7.29.2022

Witness my hand and official seal.

Brenda De La Torre  
Notary Public





**J&T Consulting, Inc.**

City of Northglenn

112th Drainage Improvements

3/1/2021

Bid Sheet

© 2020 J&T Consulting, Inc.

Item Number	Description	Quantity	Unit	Unit Price	Total Price
<b>Base Bid</b>					
<b>General</b>					
1	Project Mobilization/Demobilization/Bonds/Insurance	1	LS	11000	11000
2	Erosion Control	1	LS	8265	8265
3	Traffic Control	1	LS	20000	20000
4	Utility Potholing	13	LS	750	9750
<b>Drainage Improvements</b>					
5	Landscape Restoration of All Disturbed Areas with Random Fill, Topsoil, and Native Seed	1	LS	9000	9000
6	Remove concrete edging	1,200	LF	750	9000
7	Salvage large rock and deliver to Claude Ct Facility)	1	LS	2000	2000
8	2.5 ft Vertical Curb and Gutter	1,106	LF	29	32074
9	10 ft Type R Inlet	1	EA	12000	12000
10	5 ft Storm Sewer Manhole	1	EA	5000	5000
11	24" Class III RCP Pipe	310	LF	132	40920
12	6 ft Storm Sewer Mahole	1	EA	6000	6000
13	Remove and Replace 8 in thick Asphalt with full depth Sawcut	390	SY	105	40950
14	Place Top Soil behind Curb and Gutter	100	CY	60	6000
15	Allowance for Unforeseen Utility Relocation	1	LS	\$ 15,000.00	15000
				<b>Base Bid Total</b>	<b>225959</b>

TWO HUNDRED TWENTY FIVE THOUSAND NINE HUNDRED FIFTY NINE DOLLAR 00/100

Total Price in Words - Base Bid

This bid form is understood to be all inclusive of the work shown on the contract documents. Items that are not specifically indicated by an individual bid item are understood to be incidental and included in the lump sum cost of a related bid item.

Company Name: Colorado Civil Infrastructure, Inc  
 Signature: *Ramon Diaz* Ramon Diaz  
 Title: President





P:\2022\Northglenn\112th and Irma Drive\Drawings\Plan\_Sheet\102-JT-Notes.dwg, Layout1, 3/18/2021 1:17:30 PM

**GENERAL NOTES:**

1. ALL WORK SHALL CONFORM TO THE LATEST REVISION OF CITY OF NORTHGLENN STANDARDS AND SPECIFICATIONS, UTILITY STANDARDS AND SPECIFICATIONS.
2. CONTRACTOR SHALL CONTACT ALL APPROPRIATE UTILITY COMPANIES AND THE CITY TO OBTAIN ALL NECESSARY UTILITY LOCATES AT LEAST 48 HOURS OR TWO BUSINESS DAYS BEFORE BEGINNING CONSTRUCTION.
3. ALL PHASES OF WORK SHALL BE INSPECTED AND APPROVED BY THE ENGINEER.
4. ALL OPERATIONS SHALL CONFORM TO THE APPLICABLE REGULATIONS SET FORTH BY THE CITY OF NORTHGLENN, ICC AND OSHA.
5. CONTRACTOR SHALL KEEP ONE RECORD COPY OF ALL SPECIFICATIONS, DRAWINGS, ADDENDA, MODIFICATIONS, AND SHOP DRAWINGS AT THE SITE IN GOOD ORDER AND ANNOTATED TO SHOW ALL CHANGES MADE DURING THE CONSTRUCTION PROCESS. THESE SHALL BE AVAILABLE TO ENGINEER AND SHALL BE DELIVERED TO HIM FOR CITY RECORDS UPON COMPLETION OF THE PROJECT.
6. THE PHYSICAL FEATURES SHOWN ON THIS PLAN ARE BASED ON THE BEST AVAILABLE INFORMATION. THE CONTRACTOR SHALL VERIFY AND BE RESPONSIBLE FOR ALL FEATURES, INCLUDING ALL UNDERGROUND AND ABOVE GROUND UTILITIES. PRIOR TO BEGINNING ANY WORK, THE CONTRACTOR SHALL CONTACT THE UTILITY NOTIFICATION CENTER OF COLORADO AT 1-800-922-1987.
7. THE CONTRACTOR SHALL BE RESPONSIBLE FOR LOCATING ALL EXISTING UTILITIES AND PROTECTING THE SAME. LOCATIONS SHOWN ON THE PLANS ARE APPROXIMATE AND NOT ALL UTILITIES ARE NECESSARILY SHOWN. THE CONTRACTOR SHALL CONTACT CITY, UNCC, AND APPROPRIATE ENTITIES TO LOCATE UNDERGROUND FACILITIES AT LEAST 48 HOURS OR TWO BUSINESS DAYS PRIOR TO COMMENCEMENT OF CONSTRUCTION. THE EXACT LOCATION OF EACH UTILITY SHALL BE FIELD VERIFIED BEFORE COMMENCING WORK. THE CONTRACTOR SHALL BE FULLY RESPONSIBLE FOR ANY AND ALL DAMAGES WHICH MAY OCCUR AS A RESULT OF THE CONTRACTOR'S FAILURE TO LOCATE AND PRESERVE ANY AND ALL UNDERGROUND UTILITIES, LOCATIONS OF THE TRAFFIC SIGNAL LIGHT POLES AND PEDESTAL POLE FOUNDATIONS SHALL BE APPROVED BY THE ENGINEER.
8. DUST CONTROL FOR THE PROJECT SHALL BE THE RESPONSIBILITY OF THE CONTRACTOR. THE COST OF THIS WORK WILL NOT BE PAID FOR SEPARATELY, BUT SHALL BE INCLUDED IN THE EARTHWORK ITEM.
9. WATER SHALL BE USED AS A DUST PALLIATIVE AS LONG AS REQUIRED. LOCATIONS SHALL BE AS DIRECTED BY THE ENGINEER.
10. A TACK COAT SHALL BE PLACED PRIOR TO THE PLACEMENT OF SUBSEQUENT LIFTS OF HMA.
 

THE REMOVED PAVEMENT SHALL BECOME THE PROPERTY OF THE CONTRACTOR AND SHALL BE DISPOSED OF OFFSITE, WHERE EXISTING HMA IS SAWCUT TO ABUT NEW HMA, THE SAWCUT VERTICAL EDGE SHALL BE PAINTED WITH EMULSIFIED ASPHALT (SLOW-SETTING).
13. THE CONTRACTOR SHALL LIMIT CONSTRUCTION ACTIVITIES TO THOSE AREAS WITHIN THE LIMITS OF DISTURBANCE AND/OR TOES OF SLOPE AS SHOWN ON THE PLANS AND CROSS SECTIONS.
 

THE CONTRACTOR SHALL ALSO PERFORM CONSTRUCTION ACTIVITIES TO AVOID UNNECESSARY IMPACTS TO EXISTING VEGETATION. ANY DISTURBANCE BEYOND THESE LIMITS SHALL BE RESTORED TO ORIGINAL CONDITIONS BY THE CONTRACTOR AT HIS OWN EXPENSE.

CONSTRUCTION ACTIVITIES, IN ADDITION TO NORMAL CONSTRUCTION PROCEDURES SHALL INCLUDE THE PARKING OF VEHICLE OR EQUIPMENT, DISPOSAL OF LITTER AND ANY OTHER ACTION WHICH WOULD ALTER EXISTING CONDITIONS. DURING ALL CONSTRUCTION ACTIVITIES, THE CONTRACTOR SHALL KEEP ALL EQUIPMENT AND MATERIALS WITHIN THE LIMITS OF THE DISTURBANCE AREA.
14. THE CONTRACTOR SHALL NOT PARK ANY VEHICLES OR EQUIPMENT OR DISTURB ANY AREA NOT APPROVED BY THE ENGINEER.
15. THE CONTRACTOR SHALL MAINTAIN DRAINAGE DURING CONSTRUCTION. THE REPAIR OF DAMAGES RESULTING FROM DRAINAGE AND RUNOFF IS SOLELY THE RESPONSIBILITY OF THE CONTRACTOR AND COST SHALL BE INCLUDED IN THE WORK.
16. THE CONTRACTOR SHALL PROTECT ALL EXISTING SURVEY MONUMENTS DESIGNATED TO REMAIN IN PLACE FROM DAMAGE DURING CONSTRUCTION OPERATIONS. ANY MONUMENTS DISTURBED BY THE CONTRACTOR SHALL BE RESET AT THE CONTRACTOR'S OWN EXPENSE. THE CONTRACTOR AND THE ENGINEER SHALL NOTE THESE MONUMENTS IN THE FIELD PRIOR TO CONSTRUCTION.
17. WATER FOR COMPACTION WILL NOT BE PAID FOR SEPARATELY BUT SHALL BE INCLUDED IN THE WORK.
 

A CONSTRUCTION WATER PERMIT SHALL BE OBTAINED FROM THE CITY OF NORTHGLENN AND A HYDRANT METER WILL BE PROVIDED BY THE CITY FOR A NOMINAL FEE AS A DEPOSIT. THE DEPOSIT WILL BE RETURNED ONCE THE CONTRACTOR RETURNS THE HYDRANT METER. ALL CONSTRUCTION WATER SHALL BE OBTAINED FROM THE CITY OF NORTHGLENN AND MEASURED THROUGH A HYDRANT METER. THE CITY WILL NOT CHARGE FOR THE CONSTRUCTION WATER.
18. NO OVERWEIGHT TRUCKS WILL BE ALLOWED WITHIN THE WORK ZONE.
19. THE CONTRACTOR SHALL BE RESPONSIBLE FOR CONTACTING AND COORDINATING WITH THE APPROPRIATE UTILITY REPRESENTATIVES TO BE ON SITE DURING POTHOLES AND SHALL LIKEWISE BE RESPONSIBLE FOR DETERMINING THE TYPE AND LOCATION OF UNDERGROUND UTILITIES AS MAY BE NECESSARY TO AVOID DAMAGE THERE TO.
20. LOCATIONS OF UTILITIES REPRESENT THE BEST KNOWN LOCATIONS AT THE TIME OF PREPARATION OF DRAWINGS. THE CONTRACTOR SHALL FIELD LOCATE ALL UTILITIES IN ADVANCE OF EXCAVATION. RELOCATION OF UTILITIES MAY OR MAY NOT BE NEEDED AFTER THEY ARE EXPOSED. WHEN THE CONTRACTOR DISCOVERS A DISCREPANCY IN LOCATIONS, THEY SHALL CONTACT THE ENGINEER IMMEDIATELY. THE CONTRACTOR SHALL CALL 1-800-922-1987 OR 811 FOR UTILITY LOCATIONS, AT LEAST TWO (2) WORKING DAYS PRIOR TO ANY EXCAVATION.
 

THE CONTRACTOR SHALL BE RESPONSIBLE FOR PROTECTING LIVE UTILITIES DURING CONSTRUCTION OPERATIONS AND SHALL HOLD CITY OF NORTHGLENN HARMLESS FOR ANY AND ALL DAMAGES TO LIVE UTILITIES ARISING FROM CONSTRUCTION OPERATIONS.
21. PATCHING SHALL BE TO THE DEPTH OF THE SURROUNDING EXISTING PAVEMENT MINUS 2".
22. THE CONTRACTOR'S PROJECT SUPERINTENDENT SHALL BE AVAILABLE ON A 24 HOURS/7 DAYS PER WEEK PERIOD AND CREW SHALL RESPOND WITHIN 4 HOURS OF CONTACT.
23. ALL REMOVALS THAT ARE NOT SALVABLE OR NOT TO REMAIN PROPERTY OF THE CITY OF NORTHGLENN SHALL BECOME THE PROPERTY OF THE CONTRACTOR UNLESS OTHERWISE INDICATED ON THE PLANS AND PROJECT SPECIFICATIONS. CONTRACTOR SHALL BE RESPONSIBLE FOR ALL DISPOSAL COSTS.
24. THE CONTRACTOR SHALL MAINTAIN ACCESS TO AFFECTED PROPERTY OWNERS AT ALL TIMES DURING CONSTRUCTION.
25. ALL WORK SHALL BE WITHIN THE EXISTING RIGHT-OF-WAY, CITY OF NORTHGLENN PROPERTY, OR EXISTING EASEMENTS UNLESS OTHERWISE NOTED ON THE PLANS.
26. WHERE IT IS REQUIRED TO CUT EXISTING PAVEMENT, THE CUTTING SHALL BE DONE TO A NEAT WORK LINE FULL DEPTH WITH A CONCRETE-CUTTING SAW OR OTHER METHOD AS APPROVED BY THE ENGINEER. SAW CUTTING WILL NOT BE PAID FOR SEPARATELY BUT WILL BE CONSIDERED SUBSIDIARY TO THE WORK. ALL SAW WATER SHALL BE PROPERLY CONTAINED AND IS PROHIBITED FROM ENTERING ANY STORM DRAINS.
27. SIDEWALK, CURB AND GUTTER, OR CURB RAMPS THAT WILL BE DISTURBED BY CONSTRUCTION SHALL BE SAW CUT ALONG THE JOINT LINES AND THE ENTIRE SLAB SHALL BE REMOVED. SAW CUTTING WILL NOT BE PAID FOR SEPARATELY BUT SHALL BE INCLUDED WITH THE REMOVAL OF SIDEWALK, CURB AND GUTTER, OR CURB RAMP REMOVAL.

28. THE CONTRACTOR SHALL REPLACE LANDSCAPING, SOD, AND IRRIGATION SYSTEM COMPONENTS WITH MATERIALS OF THE SAME KIND, UNLESS OTHERWISE INDICATED ON THE PLANS OR APPROVED BY THE ENGINEER.
29. THE CONTRACTOR SHALL COORDINATE WITH ADJACENT PROPERTY OWNERS TO ENSURE THEIR LANDSCAPING IS PROTECTED AND PROPERLY CARED FOR SHOULD THE PROJECT DISTURB OR INTERRUPT NORMAL MAINTENANCE.
30. THE CONTRACTOR SHALL PROTECT ALL WORK AREAS AND FACILITIES FROM WATER AT ALL TIMES. AREAS AND FACILITIES SUBJECTED TO FLOODING, REGARDLESS OF THE SOURCE OF WATER SHALL BE PROMPTLY DEWATERED AND RESTORED WITHOUT COST TO THE CITY.
31. ANY CONSTRUCTION DEBRIS OR MUD TRACKED ONTO EXISTING ROADWAYS SHALL BE REMOVED IMMEDIATELY BY THE CONTRACTOR. THE CONTRACTOR SHALL REPAIR ANY EXCAVATIONS OR PAVEMENT FAILURES CAUSED BY HIS CONSTRUCTION AS DIRECTED BY THE ENGINEER. THE CONTRACTOR SHALL PROPERLY BARRICADE THE CONSTRUCTION SITE UNTIL CONSTRUCTION IS COMPLETE.
32. CONTRACTOR SHALL OBTAIN, AT HIS OWN EXPENSE, ALL APPLICABLE CODES, LICENSES, STANDARDS, PERMITS, BONDS, ETC. WHICH ARE NECESSARY TO PERFORM THE WORK.
33. THE CONTRACTOR SHALL NOTIFY THE ENGINEER OF ANY PROBLEM IN CONFORMING TO THE APPROVED PLANS FOR ANY ELEMENTS OF THE IMPROVEMENTS PRIOR TO CONSTRUCTION.
34. THE CONTRACTOR SHALL BE SOLELY AND COMPLETELY RESPONSIBLE FOR THE CONDITIONS AT AND ADJACENT TO THE JOB SITE, INCLUDING SAFETY OF ALL PERSONS AND PROPERTY DURING PERFORMANCE OF THE WORK. THE CONTRACTOR SHALL PROVIDE ALL LIGHTS, SIGNS, BARRICADES, FLAGGERS, OR OTHER DEVICES NECESSARY TO PROVIDE FOR PUBLIC SAFETY IN CONFORMANCE WITH THE MANUAL ON UNIFORM TRAFFIC CONTROL DEVICES. THIS SHALL APPLY TO THE PROJECT DURING THE ENTIRE TIME FRAME DURING ALL HOURS AND NOT LIMITED TO WORKING HOURS.
35. THE CONTRACTOR SHALL BE RESPONSIBLE FOR ADJUSTMENT OF ALL VALVES AND MANHOLE RIMS THAT ARE NOT SPECIFIED TO BE ADJUSTED BY THE INDIVIDUAL UTILITY COMPANY. TO FINAL STREET GRADE. THE CONTRACTOR WILL NOT BE PAID FOR ADJUSTMENTS DONE BY THE UTILITY COMPANIES.

**STREETS:**

1. CONCRETE, AGGREGATE BASE AND ASPHALTIC CONCRETE MIX DESIGNS SHALL BE SUBMITTED BY THE SUPPLIER AND APPROVED IN WRITING BY THE CITY, PRIOR TO ANY ROAD CONSTRUCTION.
2. ANY CURB AND GUTTER, WHICH IS TO REMAIN AND IS DAMAGED AS A RESULT OF THE CONTRACTOR'S OPERATION, SHALL BE REPLACED AT THE CONTRACTOR'S EXPENSE.
3. ALL STREET CURB AND GUTTER SHALL BE VERTICAL 6" CURB AND CATCH GUTTER UNLESS SPECIFICALLY NOTED OTHERWISE.
4. CURB RETURN RAMP SHALL BE AS SHOWN ON THE DRAWINGS, MEASURED TO THE FLOW LINE.
5. HANDICAP RAMPS SHALL BE INSTALLED IN ACCORDANCE WITH CITY OF NORTHGLENN STANDARDS AND STANDARD SPECIFICATIONS (LATEST REVISION), AT LOCATIONS SHOWN ON THE DRAWINGS, AND SHALL BE POURED MONOLITHICALLY WITH THE CURB & GUTTER.
6. EXPANSION JOINTS (1/2" WIDE) SHALL BE INSTALLED IN THE CURB & GUTTER AND SIDEWALK AT PROPERTY LINES. PROVIDED, HOWEVER, THAT SPACING BETWEEN EXPANSION JOINTS SHALL NOT EXCEED 100', NOR BE LESS THAN 80'. EXPANSION JOINTS (1/2" WIDE) SHALL ALSO BE INSTALLED AT THE BEGINNING AND END OF ALL CURB RETURNS AND AT BOTH ENDS OF CURB CUTS. CRACK CONTROL JOINTS SHALL BE INSTALLED AT 10' INTERVALS.
7. ALL CONCRETE EDGES SHALL BE ROUNDED TO A 1/4" RADIUS, EXCEPT WHERE SHOWN OTHERWISE ON DRAWINGS.
8. ALL VALVE BOX AND MANHOLE COVERS SHALL BE ADJUSTED TO PAVEMENT GRADE PRIOR TO FINAL PAVEMENT LIFT. ALL ASPHALT SHALL BE FINISHED 1/4" ABOVE CONCRETE EDGES, MANHOLES AND VALVE BOX COVERS.
9. ALL REGULATORY, WARNING, GUIDE AND OTHER SIGNS ON THIS PROJECT SHALL BE FURNISHED AND INSTALLED BY THE CONTRACTOR. ALL SIGNS AND SIGN PLACEMENT SHALL CONFORM TO THE LATEST VERSION OF THE MANUAL ON UNIFORM TRAFFIC CONTROL DEVICES (M.U.T.C.D.).
10. RECLAIMED ASPHALT PAVEMENT (RAP) SHALL NOT BE PLACED UNDER ASPHALT PAVEMENT.

**TRAFFIC CONTROL:**

1. CONTRACTOR SHALL CONSTRUCT THE PROJECT IN SUCH MANNER AS TO MINIMIZE THE INTERRUPTION OF THE USE OF ROADS, HIGHWAYS, OR STREETS INVOLVED AND SHALL PROVIDE FOR EMERGENCY RUNS AND FIRE HYDRANT ACCESS AT ALL TIMES.
2. ALL TRAFFIC CONTROL SHALL CONFORM TO THE APPLICABLE REGULATION SET FORTH IN THE MUTCD.
3. A MESSAGE BOARD WILL BE NEEDED FOR TEN (10) DAYS PRIOR TO THE START OF CONSTRUCTION.

**J&T Consulting, Inc.**  
 305 Denver Avenue, Suite D  
 Fort Lupton, CO 80021  
 Ph: 303-818-4322 Fax: 303-818-2428  
 www.jandtc.com

**112th and Irma Drive  
 Improvements**

General Notes

**City of Northglenn**  
  
**Northglenn**

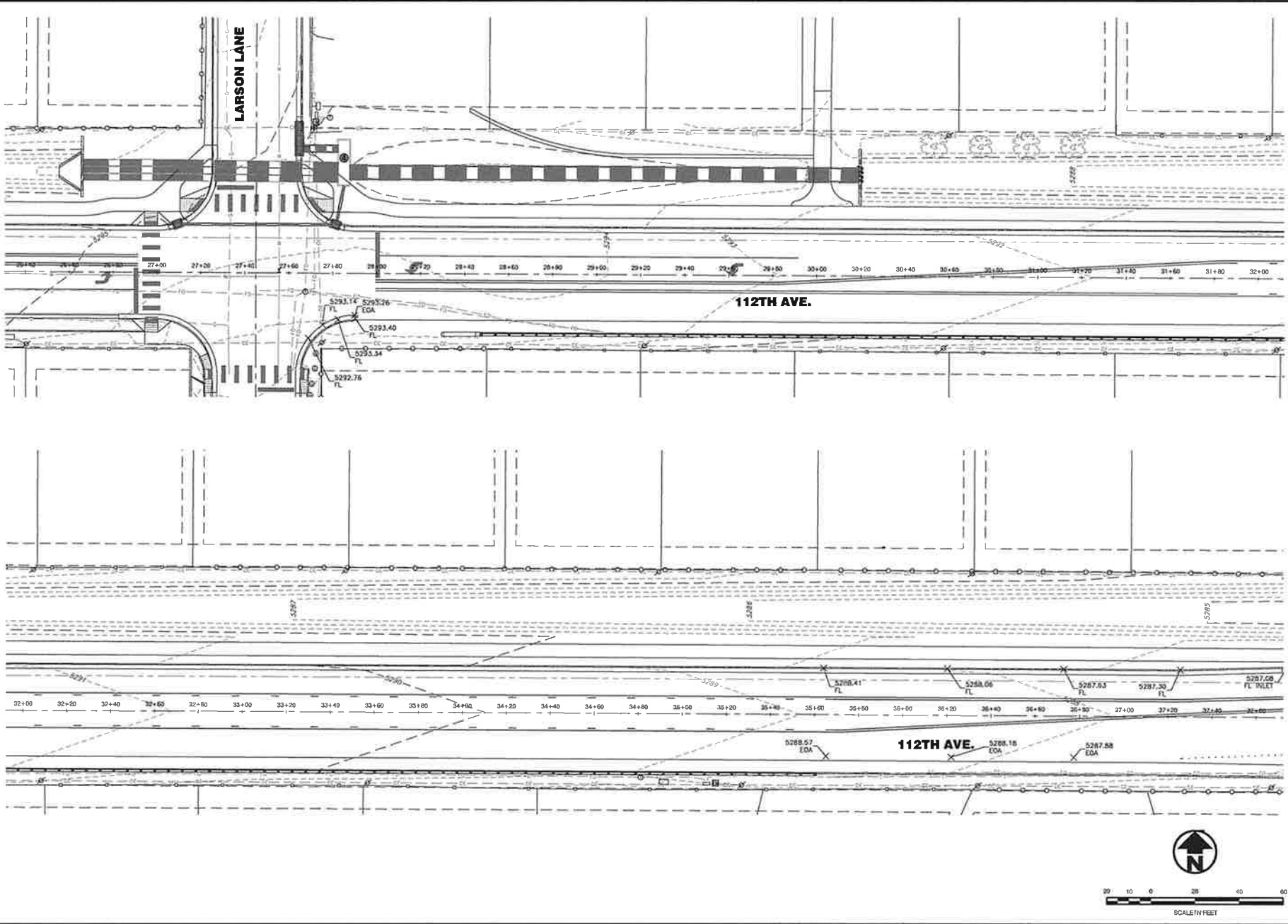
REV. NO.	DATE	BY	CHK	DESCRIPTION

Job #	20221
Date	3/18/21
Drawn By	WLB
Checked By	TRV
Scale	1"=20'
Sheet	2 of 8

Sheet: **2** of 8

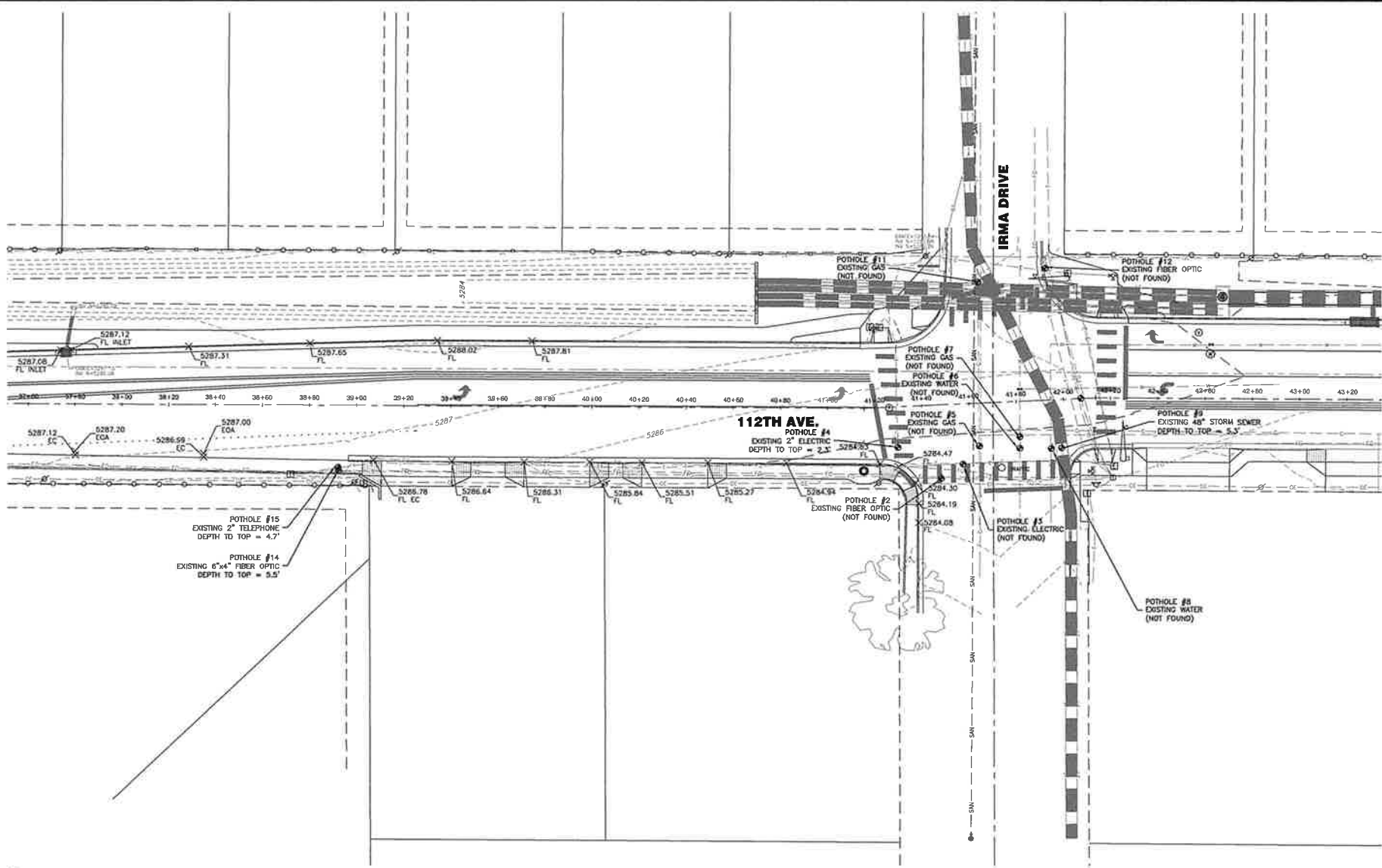


P:\32221 Northglenn 112th and Irma Drive\Drawings\Pin Shave\03-JT-ex cond.dwg, Layout1, 3/1/2021 10:51:54 AM

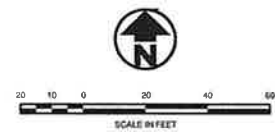


 <b>J&amp;T Consulting, Inc.</b> 306 Denver Avenue - Suite D Fort Lupton, CO 80621 Ph: 303-587-5222 Fax: 303-587-5224 www.jtconsulting.com		<b>112th and Irma Drive Improvements</b> Existing Conditions																																																								
				City of Northglenn 																																																						
<b>REVISIONS</b>		<table border="1"> <thead> <tr> <th>No.</th> <th>Date</th> <th>By</th> <th>Chk.</th> <th>Description</th> </tr> </thead> <tbody> <tr><td> </td><td> </td><td> </td><td> </td><td> </td></tr> <tr><td> </td><td> </td><td> </td><td> </td><td> </td></tr> <tr><td> </td><td> </td><td> </td><td> </td><td> </td></tr> <tr><td> </td><td> </td><td> </td><td> </td><td> </td></tr> <tr><td> </td><td> </td><td> </td><td> </td><td> </td></tr> <tr><td> </td><td> </td><td> </td><td> </td><td> </td></tr> <tr><td> </td><td> </td><td> </td><td> </td><td> </td></tr> <tr><td> </td><td> </td><td> </td><td> </td><td> </td></tr> <tr><td> </td><td> </td><td> </td><td> </td><td> </td></tr> <tr><td> </td><td> </td><td> </td><td> </td><td> </td></tr> </tbody> </table>		No.	Date	By	Chk.	Description																																																		
No.	Date	By	Chk.	Description																																																						
Job # 20221 Date 5/13/21 Drawn By WJS Design By TPV Checked By JCY File JT & cond Name AS Draw		Sheet: <b>3</b> of <b>8</b>																																																								

P:\2021\Northglenn 112th and Irma\Drawings\Plan Sheet\00-JT-ax-cond.dwg, Layout1 (2), 3/1/2021 10:53:08 AM



**NOTE:**  
PLEASE FIELD VERIFY AND LOCATE ALL EXISTING UTILITIES PRIOR TO CONSTRUCTION.  
CONTACT ENGINEER WITH ANY DISCREPANCIES.



**J&T Consulting, Inc.**  
395 Denver Avenue - Suite D  
Fort Lupton, CO 80821  
Ph: 303-897-6222 Fax: 303-897-6224  
www.jandt.com

**112th and Irma Drive Improvements**  
Existing Conditions

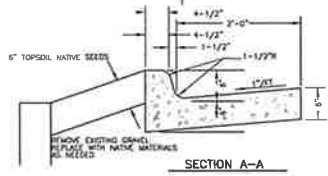
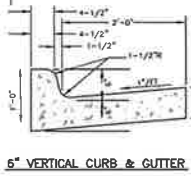
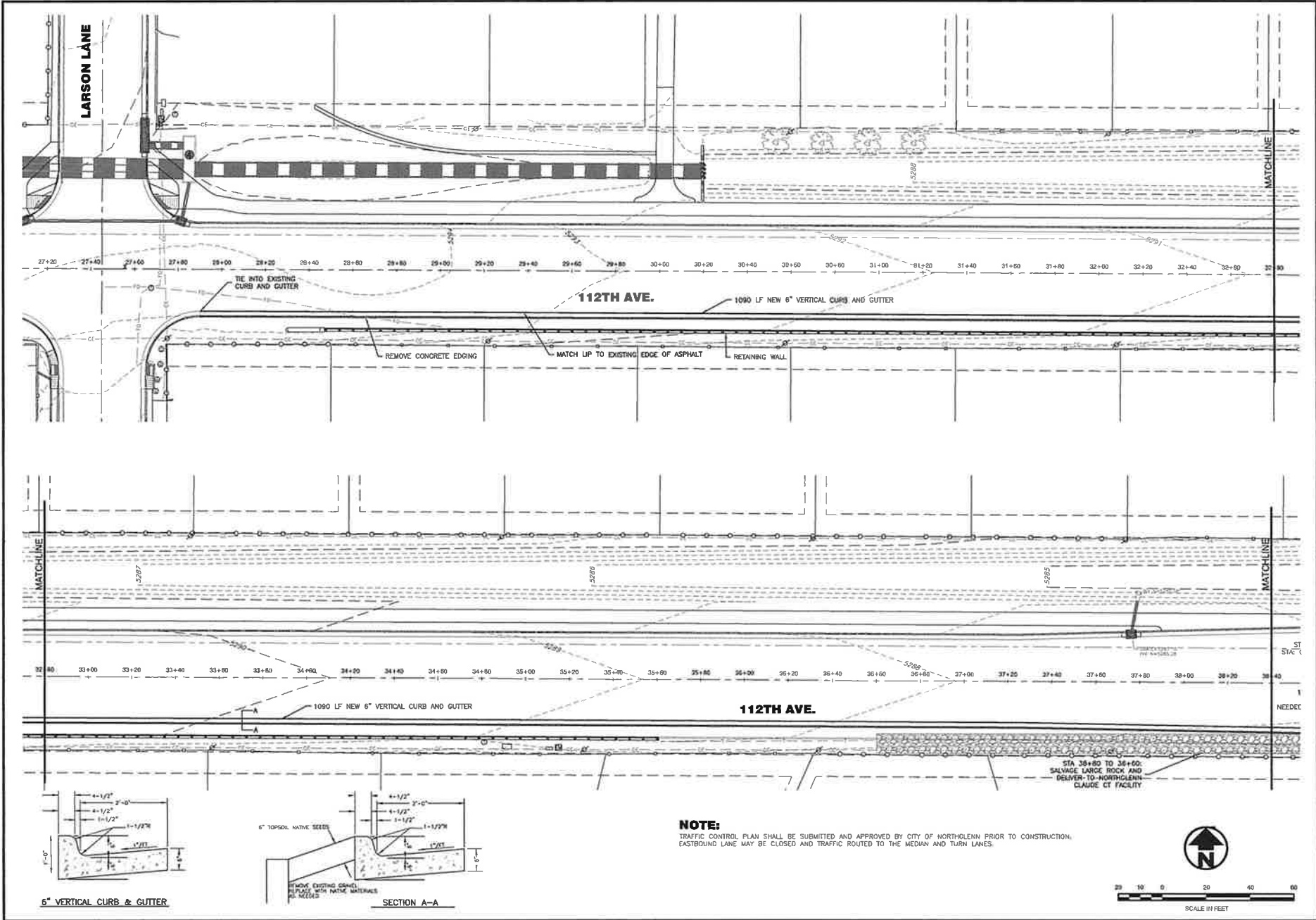
**City of Northglenn**  
Northglenn

REVISIONS	
No.	Description

Job #	20221
Drawn By	WJG
Checked By	TPY
Drawn By	JCY
Drawn By	JCY
Drawn By	JCY
Drawn By	JCY
Drawn By	JCY
Drawn By	JCY
Drawn By	JCY
Drawn By	JCY

Sheet: **4** of **8**

P:\0221 Northglenn 112th and IrmaDrawing\Plan Sheet\05-112th plan.dwg, Layout1, 3/17/2021 10:49:26 AM



**NOTE:**  
 TRAFFIC CONTROL PLAN SHALL BE SUBMITTED AND APPROVED BY CITY OF NORTHGLENN PRIOR TO CONSTRUCTION.  
 EASTBOUND LANE MAY BE CLOSED AND TRAFFIC ROUTED TO THE MEDIAN AND TURN LANES.





**J&T Consulting, Inc.**  
 305 Denver Avenue - Suite D  
 Fort Lupton, CO 80021  
 Ph: 303-487-5222 Fax: 303-487-4824  
 www.jandtc.com

**112th and Irma Drive Improvements**

Site Plan



**City of Northglenn**



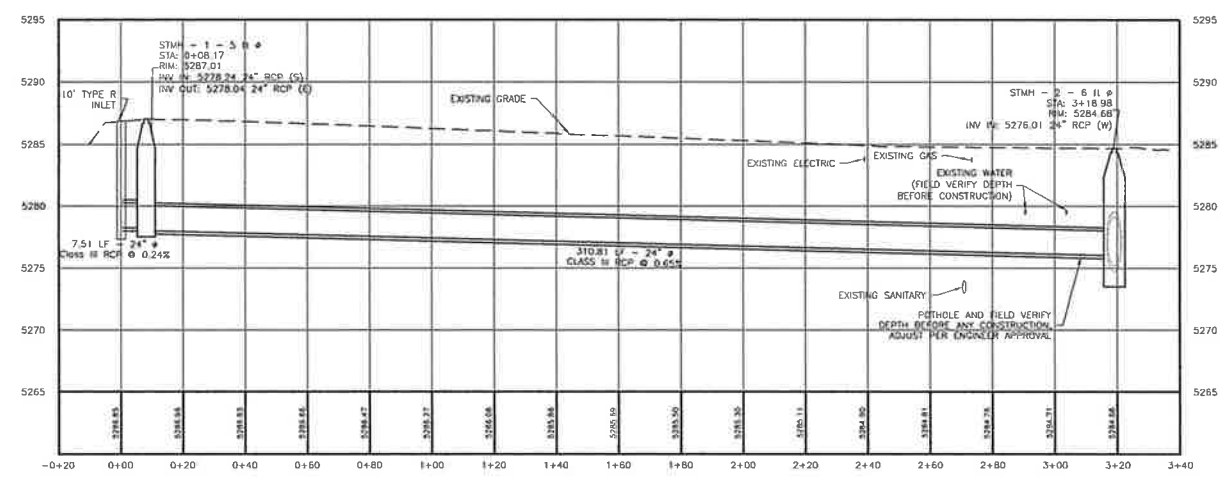
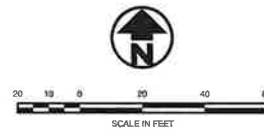
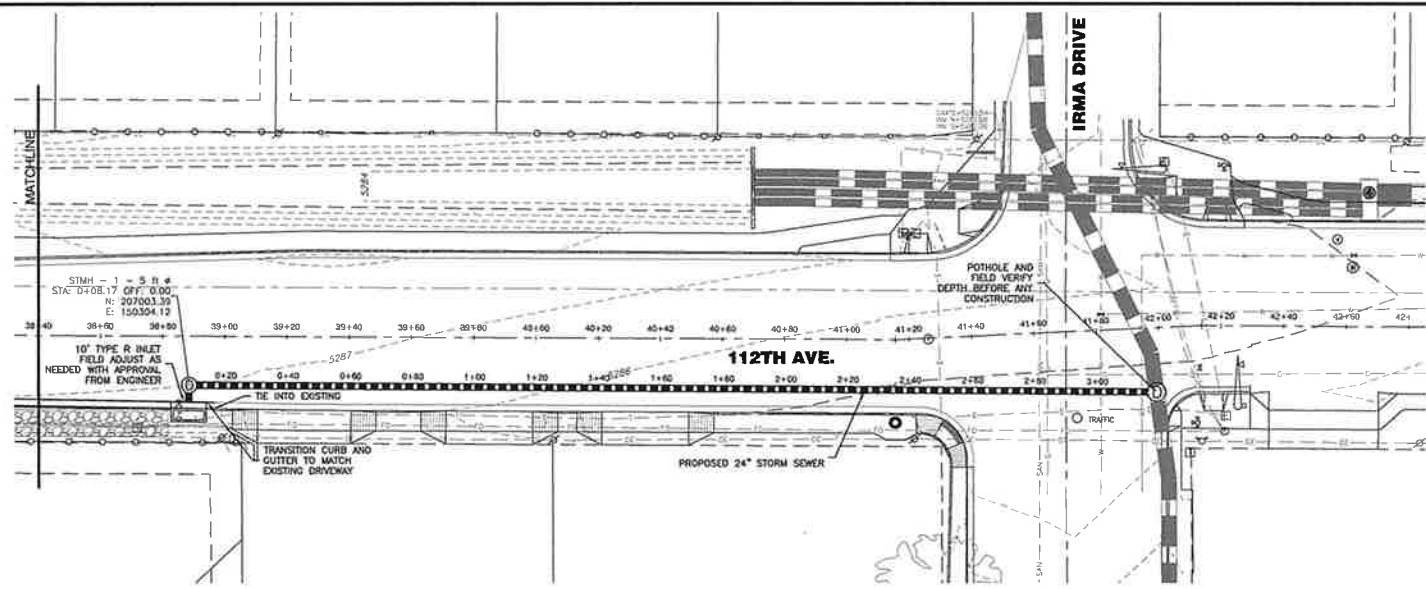
**City of Northglenn**

No.	Date	By	Chk.	Description

Job # 20221  
 Rev. 5/17/21  
 Order # 2021  
 Designer TPV  
 Checker JCY  
 Title JTC/PLN  
 Scale 1" = 20'

Sheet: **5** of **8**

P:\2021\Northglenn 112th and Irma\Drawing\Plan Sheets\05-JT-3 site plan.dwg, Layout1 (2), 3/1/2021, 10:48:41 AM



**J&T Consulting, Inc.**  
 305 Denver Avenue - Suite D  
 Fort Lupton, CO 80821  
 Ph. 303.537.4222 Fax. 303.537.4224  
 www.JandT.com

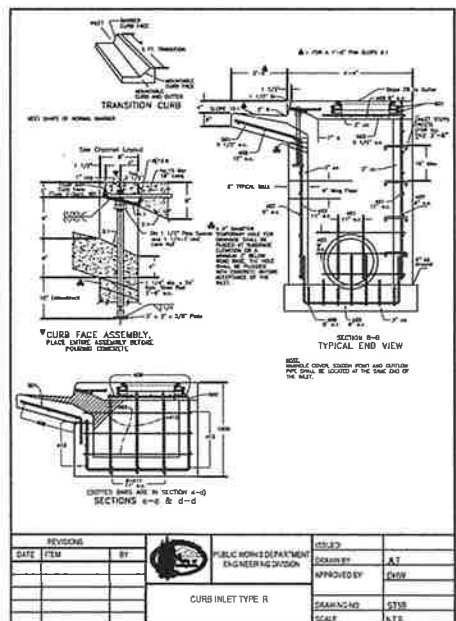
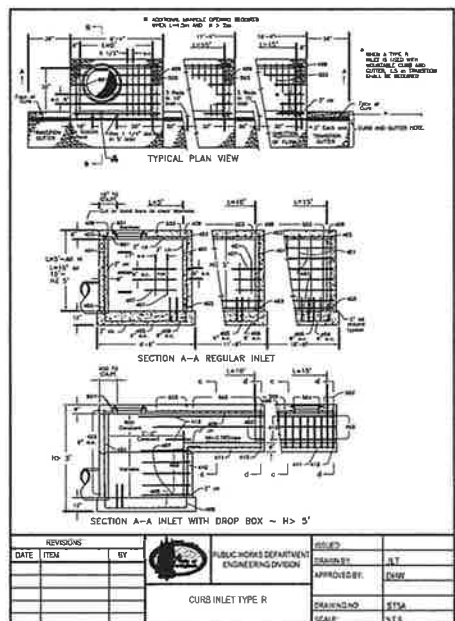
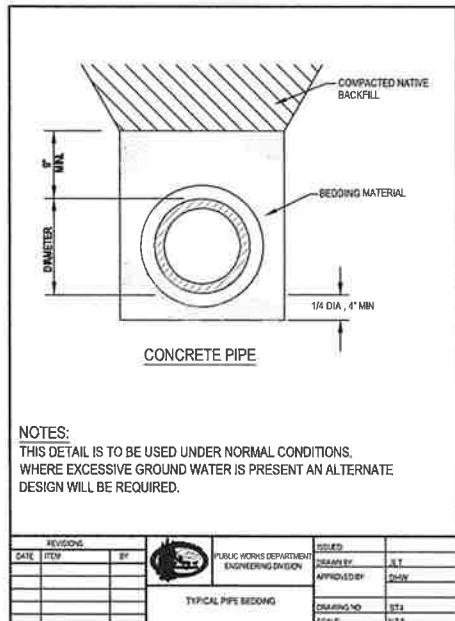
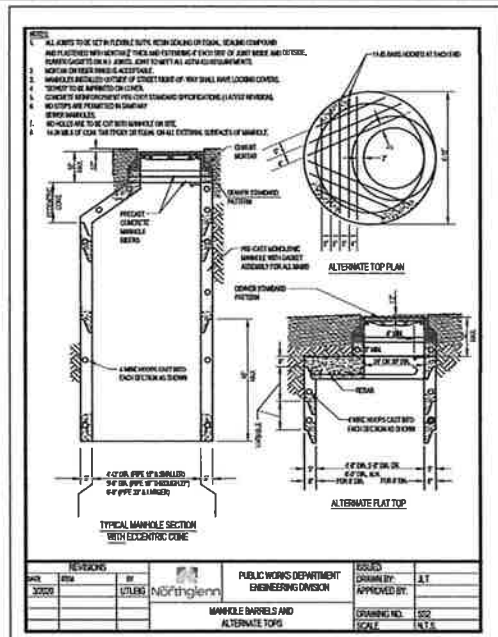
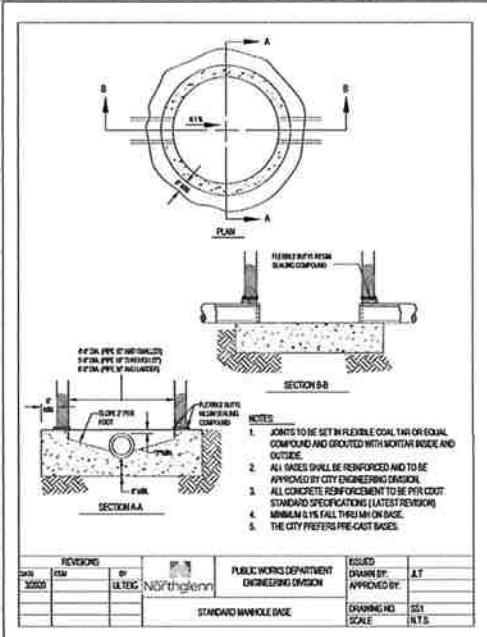
**112th and Irma Drive Improvements**  
 Site Plan

**City of Northglenn**  
 City of Northglenn

No.	Date	By	Chk.	Description

Job # \_\_\_\_\_ 20921  
 Date \_\_\_\_\_ 1/18/21  
 Drawn By \_\_\_\_\_ WSS  
 Checked By \_\_\_\_\_ TTY  
 Estimated By \_\_\_\_\_ JCY  
 Title \_\_\_\_\_ JT-3  
 Scale \_\_\_\_\_ 1" = 20'

Sheet: **6** of **8**



**TABLE ONE - BAR LIST FOR CURB INLETS, TYPE "R"**

BAR NO.	SIZE	LENGTH	QUANTITY	REMARKS
1	1/2" x 1/2"	10'	1	TRANSITION CURB
2	1/2" x 1/2"	10'	1	TRANSITION CURB
3	1/2" x 1/2"	10'	1	TRANSITION CURB
4	1/2" x 1/2"	10'	1	TRANSITION CURB
5	1/2" x 1/2"	10'	1	TRANSITION CURB
6	1/2" x 1/2"	10'	1	TRANSITION CURB
7	1/2" x 1/2"	10'	1	TRANSITION CURB
8	1/2" x 1/2"	10'	1	TRANSITION CURB
9	1/2" x 1/2"	10'	1	TRANSITION CURB
10	1/2" x 1/2"	10'	1	TRANSITION CURB
11	1/2" x 1/2"	10'	1	TRANSITION CURB
12	1/2" x 1/2"	10'	1	TRANSITION CURB
13	1/2" x 1/2"	10'	1	TRANSITION CURB
14	1/2" x 1/2"	10'	1	TRANSITION CURB
15	1/2" x 1/2"	10'	1	TRANSITION CURB
16	1/2" x 1/2"	10'	1	TRANSITION CURB
17	1/2" x 1/2"	10'	1	TRANSITION CURB
18	1/2" x 1/2"	10'	1	TRANSITION CURB
19	1/2" x 1/2"	10'	1	TRANSITION CURB
20	1/2" x 1/2"	10'	1	TRANSITION CURB
21	1/2" x 1/2"	10'	1	TRANSITION CURB
22	1/2" x 1/2"	10'	1	TRANSITION CURB
23	1/2" x 1/2"	10'	1	TRANSITION CURB
24	1/2" x 1/2"	10'	1	TRANSITION CURB
25	1/2" x 1/2"	10'	1	TRANSITION CURB
26	1/2" x 1/2"	10'	1	TRANSITION CURB
27	1/2" x 1/2"	10'	1	TRANSITION CURB
28	1/2" x 1/2"	10'	1	TRANSITION CURB
29	1/2" x 1/2"	10'	1	TRANSITION CURB
30	1/2" x 1/2"	10'	1	TRANSITION CURB
31	1/2" x 1/2"	10'	1	TRANSITION CURB
32	1/2" x 1/2"	10'	1	TRANSITION CURB
33	1/2" x 1/2"	10'	1	TRANSITION CURB
34	1/2" x 1/2"	10'	1	TRANSITION CURB
35	1/2" x 1/2"	10'	1	TRANSITION CURB
36	1/2" x 1/2"	10'	1	TRANSITION CURB
37	1/2" x 1/2"	10'	1	TRANSITION CURB
38	1/2" x 1/2"	10'	1	TRANSITION CURB
39	1/2" x 1/2"	10'	1	TRANSITION CURB
40	1/2" x 1/2"	10'	1	TRANSITION CURB
41	1/2" x 1/2"	10'	1	TRANSITION CURB
42	1/2" x 1/2"	10'	1	TRANSITION CURB
43	1/2" x 1/2"	10'	1	TRANSITION CURB
44	1/2" x 1/2"	10'	1	TRANSITION CURB
45	1/2" x 1/2"	10'	1	TRANSITION CURB
46	1/2" x 1/2"	10'	1	TRANSITION CURB
47	1/2" x 1/2"	10'	1	TRANSITION CURB
48	1/2" x 1/2"	10'	1	TRANSITION CURB
49	1/2" x 1/2"	10'	1	TRANSITION CURB
50	1/2" x 1/2"	10'	1	TRANSITION CURB
51	1/2" x 1/2"	10'	1	TRANSITION CURB
52	1/2" x 1/2"	10'	1	TRANSITION CURB
53	1/2" x 1/2"	10'	1	TRANSITION CURB
54	1/2" x 1/2"	10'	1	TRANSITION CURB
55	1/2" x 1/2"	10'	1	TRANSITION CURB
56	1/2" x 1/2"	10'	1	TRANSITION CURB
57	1/2" x 1/2"	10'	1	TRANSITION CURB
58	1/2" x 1/2"	10'	1	TRANSITION CURB
59	1/2" x 1/2"	10'	1	TRANSITION CURB
60	1/2" x 1/2"	10'	1	TRANSITION CURB
61	1/2" x 1/2"	10'	1	TRANSITION CURB
62	1/2" x 1/2"	10'	1	TRANSITION CURB
63	1/2" x 1/2"	10'	1	TRANSITION CURB
64	1/2" x 1/2"	10'	1	TRANSITION CURB
65	1/2" x 1/2"	10'	1	TRANSITION CURB
66	1/2" x 1/2"	10'	1	TRANSITION CURB
67	1/2" x 1/2"	10'	1	TRANSITION CURB
68	1/2" x 1/2"	10'	1	TRANSITION CURB
69	1/2" x 1/2"	10'	1	TRANSITION CURB
70	1/2" x 1/2"	10'	1	TRANSITION CURB
71	1/2" x 1/2"	10'	1	TRANSITION CURB
72	1/2" x 1/2"	10'	1	TRANSITION CURB
73	1/2" x 1/2"	10'	1	TRANSITION CURB
74	1/2" x 1/2"	10'	1	TRANSITION CURB
75	1/2" x 1/2"	10'	1	TRANSITION CURB
76	1/2" x 1/2"	10'	1	TRANSITION CURB
77	1/2" x 1/2"	10'	1	TRANSITION CURB
78	1/2" x 1/2"	10'	1	TRANSITION CURB
79	1/2" x 1/2"	10'	1	TRANSITION CURB
80	1/2" x 1/2"	10'	1	TRANSITION CURB
81	1/2" x 1/2"	10'	1	TRANSITION CURB
82	1/2" x 1/2"	10'	1	TRANSITION CURB
83	1/2" x 1/2"	10'	1	TRANSITION CURB
84	1/2" x 1/2"	10'	1	TRANSITION CURB
85	1/2" x 1/2"	10'	1	TRANSITION CURB
86	1/2" x 1/2"	10'	1	TRANSITION CURB
87	1/2" x 1/2"	10'	1	TRANSITION CURB
88	1/2" x 1/2"	10'	1	TRANSITION CURB
89	1/2" x 1/2"	10'	1	TRANSITION CURB
90	1/2" x 1/2"	10'	1	TRANSITION CURB
91	1/2" x 1/2"	10'	1	TRANSITION CURB
92	1/2" x 1/2"	10'	1	TRANSITION CURB
93	1/2" x 1/2"	10'	1	TRANSITION CURB
94	1/2" x 1/2"	10'	1	TRANSITION CURB
95	1/2" x 1/2"	10'	1	TRANSITION CURB
96	1/2" x 1/2"	10'	1	TRANSITION CURB
97	1/2" x 1/2"	10'	1	TRANSITION CURB
98	1/2" x 1/2"	10'	1	TRANSITION CURB
99	1/2" x 1/2"	10'	1	TRANSITION CURB
100	1/2" x 1/2"	10'	1	TRANSITION CURB

**REVISIONS**

DATE	ITEM	BY	ISSUED	DESIGNED BY	APPROVED BY	SCALE
						N.T.S.

**CURB INLET TYPE R**

P:\2021\Northglenn 112th and Irma\Drawings\Plan Sheets\JT-Storm details.dwg, Layout1, 3/18/2021 1:35:35 PM

**J&T Consulting, Inc.**  
 305 Denver Avenue - Suite D  
 Fort Lupton, CO 80521  
 Ph: 303-887-6222 Fax: 303-887-6226  
 www.jtconsulting.com

**112th and Irma Drive Improvements**  
 Storm Sewer Details

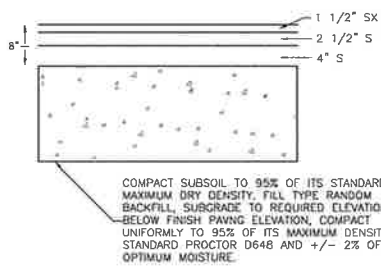
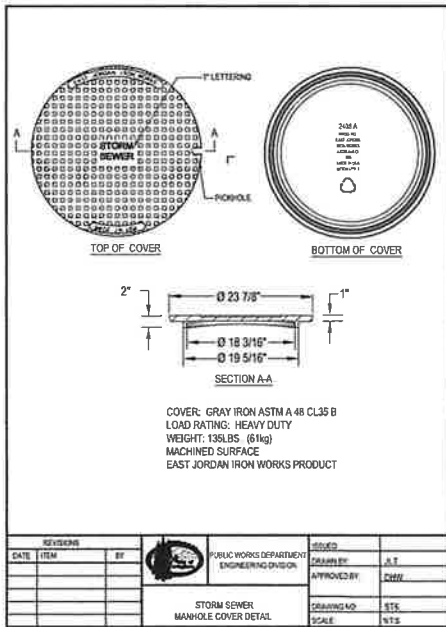
**City of Northglenn**

**REVISIONS**

NO.	DATE	BY	CHK	DESCRIPTION

Job # 20201  
 Date 12/21/21  
 Drawn By JWS  
 Checked By TJP  
 Scale JT-Details  
 As Shown

Sheet: **7** of 8



**PAVEMENT DETAIL**



Customer: J&T Consulting  
 Project: 112th and Irma, Northglenn  
 Date: 1/10/21

PH #	Pothole Excavation Date	Utility Owner	Utility	Utility Size (in.)	Utility Material	Surface Material	Pavement Depth (in.)	Location	Station	Depth from Ground to Top (ft.)	Comments
1	-	-	Overhead Electric	-	-	-	-	S Side of Irma & 112th Intersection	41+50	DNPH	Overhead, did not pothole.
2	12/21/20	Quest	Fiber	-	-	asphalt	9"	S Side of Irma & 112th Intersection	41+50	DNF	Hit flowfill directly below asphalt, not able to core through to pothole.
3	12/21/20	City of Northglenn	Electric	-	-	asphalt	-	S Side of Irma & 112th Intersection	41+50	DNPH	Did not pothole due to flowfill under nearby holes. Removed from scope per liz.
4	01/08/21	City of Northglenn	Electric	2"	poly	asphalt	7.5"	W Side of Irma & 112th Intersection	41+30	2.3'	
4A	01/08/21	City of Northglenn	Electric	-	-	asphalt	8"	W Side of Irma & 112th Intersection	41+30	DNF	City locator marked a second electric line crossing from N to S on W side of intersection. Cleared down 5'x3' but did not find. Could not locate either of locator's marks. Plans show only one line running N-S.
5	12/21/20	Xcel	Gas	-	-	asphalt	9"	S Side of Irma & 112th Intersection	41+60	DNF	Hit flowfill directly below asphalt, not able to core through to pothole.
6	12/21/20	City of Northglenn	Water	-	-	asphalt	12"	S Side of Irma & 112th Intersection	41+80	DNF	Hit flowfill directly below asphalt, not able to core through to pothole.
7	12/21/20	Xcel	Gas	-	-	asphalt	-	S Side of Irma & 112th Intersection	41+80	DNPH	Did not pothole due to flowfill under nearby holes. Removed from scope per liz.
8	12/21/20	City of Northglenn	Water	-	-	asphalt	-	S Side of Irma & 112th Intersection	41+95	DNPH	Did not pothole due to flowfill under nearby holes. Removed from scope per liz.
9	01/07/21	City of Northglenn	Storm Box Culvert	-	Concrete	asphalt	4.25"	Sidewalk on SE Corner of 112th and Irma Intersection	42+10	5.3'	
10	-	-	Overhead Electric	-	-	-	-	N Side of Irma & 112th Intersection	41+60	DNPH	Overhead, did not pothole.
11	01/07/21	Xcel	Gas	-	-	asphalt	7.5"	N Side of Irma & 112th Intersection	41+60	DNF	Hit storm box culvert running NW to SE at 5.5'. Was not able to pothole to the side due to the size of the box culvert. Gas line may run under the box culvert.
12	01/07/21	Quest	Fiber	-	-	concrete	5.5"	Sidewalk on NE Corner of 112th and Irma Intersection	41+90	DNF	Cleared down 10'x3' but did not find. Locator was showing depth of 13' so likely runs under box culverts. Running out of the box on SE corner of intersection, the utility was a 3/4" poly. Runs N-S on E side of intersection parallel to PH 12 fiber line. Was not shown on plans, added to scope per liz.
12A	01/07/21	Quest	Telephone	3"	poly	asphalt	6.5"	N Side of Irma & 112th Intersection	41+90	3.2'	
13	12/21/20	Quest	Telephone	2"	poly	asphalt	13"	S side of 112th, about 200' W of Intersection	38+90	4.7'	
14	12/21/20	Quest	Fiber	6x4"	PVC	dirt	-	S side of 112th, about 200' W of Intersection	38+90	5.5'	

**POTHOLE DATA**

**J&T Consulting, Inc.**  
 505 Dunbar Avenue, Suite D  
 Fort Lupton, CO 80821  
 Ph: 303-887-8222 Fax: 303-887-8224  
 www.jtconsulting.com

**112th and Irma Drive Improvements**

Storm Sewer Details

City of Northglenn



REV. NO.	DATE	BY	DESCRIPTION

Drawn By	WJS
Checked By	TPV
Scale	AS SHOWN

Sheet: **8** of **8**

**PROSPECTIVE CONTRACTOR'S CERTIFICATE REGARDING EMPLOYING OR CONTRACTING WITH A WORKER WITHOUT AUTHORIZATION**

FROM: COLORADO CIVIL INFRASTRUCTURE, INC  
(Prospective Contractor)

TO: City of Northglenn  
11701 Community Center Drive  
Northglenn, Colorado 80233-8061

Project Name 112<sup>TH</sup> + IRMA

Bid Number \_\_\_\_\_ Project No. \_\_\_\_\_

As a prospective Contractor for the above-identified bid, I (we) do hereby certify that, as of the date of this certification, I (we) do not knowingly employ or contract with a worker without authorization who will perform work under the Agreement and that I (we) will confirm the employment eligibility of all employees who are newly hired for employment to perform work under the Agreement through participation in either the E-Verify Program administered by the United States Department of Homeland Security and Social Security Administration or the Department Program administered by the Colorado Department of Labor and Employment.

Executed this 9<sup>TH</sup> day of JUNE, 2021.

Prospective Contractor COLORADO CIVIL INFRASTRUCTURE

By: 

Title: president

*To be completed if contractor is providing services and has employees.*



**DEPARTMENT PROGRAM AFFIDAVIT**

**(To be completed if Contractor participates in the  
Department of Labor Lawful Presence Verification Program)**

I, RAMON DIAZ, as a public contractor under contract with the City of Northglenn (the "City"), hereby affirm that:

1. I have examined or will examine the legal work status of all employees who are newly hired for employment to perform work under this public contract for services ("Contract") with the City within twenty (20) days after such hiring date;

2. I have retained or will retain file copies of all documents required by 8 U.S.C. § 1324a, which verify the employment eligibility and identity of newly hired employees who perform work under this Contract; and

3. I have not and will not alter or falsify the identification documents for my newly hired employees who perform work under this Contract.

*Ramon Diaz*  
Contractor Signature

6-9-21  
Date

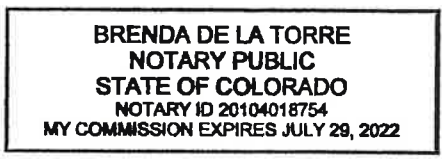
STATE OF COLORADO )  
 ) ss.  
COUNTY OF Arapahoe )

The foregoing instrument was subscribed, sworn to and acknowledged before me this 9<sup>th</sup> day of June, 2021, by Ramon Diaz as President of Colorado Civil Infrastructure

My commission expires: 7/29/22

(S E A L)

*Brenda De La Torre*  
Notary Public



*To be completed if contractor is providing services and has employees.*



**NO EMPLOYEE AFFIDAVIT**

**1. Check and complete one:**

I, \_\_\_\_\_, am a sole proprietor doing business as \_\_\_\_\_ I do not currently employ any individuals. Should I employ any individuals during the term of my Agreement with the City, I certify that I will comply with the lawful presence verification requirements outlined in that Agreement.

**OR**

I, RAMON DIAZ, am an owner/member/shareholder of CCI, a CORPORATION [specify type of entity-i.e, corporation, limited liability company], that does not currently employ any individuals. Should I employ any individuals during the term of my Agreement with the City, I certify that I will comply with the lawful presence verification requirements outlined in that Agreement.

**2. Check one.**

I, RAMON DIAZ, am a United States citizen or legal permanent resident.

*The City must verify this statement by reviewing one of the following items:*

- A valid Colorado Driver's license or a Colorado identification card
- A United States military card or a military dependent's identification card
- A United States Coast Guard Merchant Mariner card
- A Native American tribal document or
- In the case of a resident of another state, the driver's license or state-issued identification card from the state of residence, if that state requires the applicant to prove lawful presence prior to the issuance of the identification card
- Any other documents or combination of documents listed in the City's "Acceptable Documents for Lawful Presence Verification" chart that prove both the contractor's citizenship/lawful presence and identity.

**OR**

I am otherwise lawfully present in the United States pursuant to federal law.

*Contractor must verify this statement through the federal systematic alien verification of entitlement program, the "SAVE" program, and provide such verification to the City.*

  
\_\_\_\_\_  
Signature

6-9-21  
\_\_\_\_\_  
Date

*To be completed if the contractor is sole person performing services, with no employees.*